

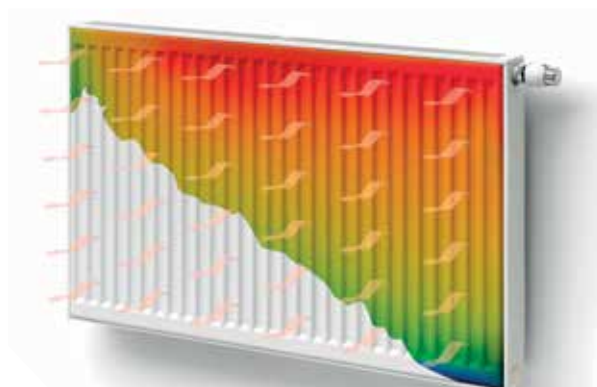
**DISCOVER NOVELLO ECO**

## General information

### NOVELLO ECO

Low-temperature panel radiator made from high-quality steel, with serial flow technology (hot water first flows through the front panel). This results in high energy efficiency, maximum radiation (even in low-temperature heating systems), faster heating rate and less waste of energy.

Product:	Stelrad low-temperature valve radiator with serial flow technology, both centre and lateral bottom connections and a preset valve insert, which can be fitted on the left or right side of the radiator upper grille and side panels
Finishing:	upper grille and side panels
Pre-installed:	preset Heimeier 4368 or 4369 valve insert, ECO air vent and blind plugs
Valve insert:	The integrated adjustable valve (without thermostatic head) is factory-fit on the right side of the radiator; CEN certified, tested in accordance with EN215 and compatible with thermostatic heads M30 x 1,5 mm. For types 21 – 22 – 33 can the valve insert can also be fitted on the left side of the radiator; a left version for a type 11 radiator is available on request. The thermostatic valve insert is factory-set in relation to the size of the radiator. This presetting ensures optimum throughput in the radiator. Factory setting for two-pipe systems, also suitable for one-pipe systems (as long as the valve insert is adjusted to position 8).
Also supplied:	VDI brackets with anti-lift (type Monclac), screws, plugs and installation instructions
Connections:	2 x ¾" male Eurocone centre connection and 2 x ½" female lateral bottom connection Left version (types 21-22-33) only with 2 x ½" female lateral bottom connection.
Lugs:	2 pairs of mounting lugs up to 1.600 mm and 3 pairs from 1.800 mm
Packaging:	Every radiator is sturdily packaged in high-quality cardboard and wrapped in plastic. The radiator's characteristics are shown on the label: type – height – length.
Warranty:	10 years, as long as the installation instructions have been followed and Stelrad's warranty conditions have been met.
Paint process:	All radiators are degreased, phosphated, cataphoretically primed and powder-coated in Stelrad white 9016 as standard.
Colours:	Stelrad white 9016 + 35 different Stelrad colours and about 200 RAL-colours are possible
Heat cost allocator:	Suitable for heat cost allocators, both electronic and according to the evaporation principle (covered by the norm of EN834 & EN835).
Max. operating pressure:	10 bar (tested to 13 bar)
Max. operating temperature:	110 °C
Conformity:	in accordance with EN442
Quality assurance:	NF
Declaration of equivalence:	Bureau CRG and Kiwa
Types:	11   21   22   33
Heights:	300   400   500   600   700   900 mm
Lengths:	400 – 3.000 mm
Depths:	61   77   100   158 mm

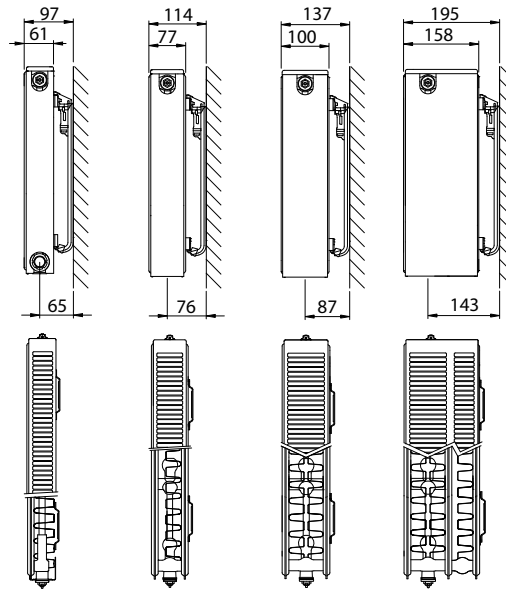


## Type overview

Calculation factor  
per meter  
at 75/65/20°C  
according to EN442

Characteristic equation:

$$\Phi = K_M \times \Delta T^n$$



Height		Type 11	Type 21	Type 22	Type 33	Height
300	W	509	744	933	1.347	300
	kg	9,31	14,30	16,50	24,70	
	l	1,89	3,80	3,70	5,20	
	m <sup>2</sup>	2,09	2,44	3,51	5,26	
	n	1,32	1,28	1,31	1,33	
400	W	676	927	1.173	1.686	400
	kg	12,78	18,83	21,83	32,63	
	l	2,34	4,80	4,77	6,80	
	m <sup>2</sup>	2,95	3,37	4,92	7,38	
	n	1,31	1,29	1,30	1,33	
500	W	833	1.107	1.401	2.007	500
	kg	16,24	23,37	27,17	40,57	
	l	2,80	5,80	5,83	8,40	
	m <sup>2</sup>	3,80	4,31	6,33	9,49	
	n	1,30	1,30	1,30	1,33	
600	W	980	1.287	1.617	2.313	600
	kg	19,70	27,90	32,50	48,50	
	l	3,25	6,80	6,90	10,00	
	m <sup>2</sup>	4,66	5,24	7,74	11,61	
	n	1,29	1,30	1,30	1,33	
700	W	1.117	1.467	1.824	2.607	700
	kg	22,90	32,70	38,07	57,00	
	l	3,77	7,57	7,63	11,25	
	m <sup>2</sup>	5,51	6,18	9,15	13,72	
	n	1,29	1,31	1,30	1,33	
900	W	1.360	1.836	2.220	3.180	900
	kg	29,30	42,30	49,20	74,00	
	l	4,80	9,10	9,10	13,75	
	m <sup>2</sup>	7,22	8,05	11,97	17,96	
	n	1,29	1,32	1,30	1,33	

W=heat output per meter / kg=weight per meter / l=content per meter / m<sup>2</sup>=surface per meter / n=exponent  
The manufacturer reserves the right to alter any of the specifications shown in this document without prior notice.

## NOVELLO ECO

Heat outputs in Watt according to EN442



**EN442 (W) 70/50/20°C**

**EN442 (W) 55/45/20°C**

Stelrad BV/PLI 18(0149)EC08

Height	300			
Type	11	21	22	33
W/m 75/65/20°C	509	744	933	1.347
<b>400</b>	152 104 0291031104	224 155 0292032104	279 191 0292032204	401 274 0292033304
<b>500</b>	189 129 0291031105	279 193 0292032105	348 239 0292032205	501 342 0292033305
<b>600</b>	227 155 0291031106	335 232 0292032106	418 287 0292032206	601 410 0292033306
<b>700</b>	265 181 0291031107	391 271 0292032107	488 335 0292032207	701 479 0292033307
<b>800</b>	303 207 0291031108	447 309 0292032108	557 383 0292032208	802 547 0292033308
<b>900</b>	341 233 0291031109	503 348 0292032109	628 431 0292032209	901 615 0292033309
<b>1000</b>	379 259 0291031110	559 387 0292032110	697 479 0292032210	1.002 684 0292033310
<b>1100</b>	417 285 0291031111	615 425 0292032111	767 527 0292032211	1.102 752 0292033311
<b>1200</b>	455 311 0291031112	671 464 0292032112	837 575 0292032212	1.202 820 0292033312
<b>1400</b>	531 363 0291031114	783 542 0292032114	976 670 0292032214	1.402 957 0292033314
<b>1600</b>		894 618 0292032116	1.116 766 0292032216	1.602 1.094 0292033316
<b>1800</b>		1.006 696 0292032118	1.255 862 0292032218	1.803 1.231 0292033318
<b>2000</b>		1.118 773 0292032120	1.394 958 0292032220	2.003 1.367 0292033320
<b>2200</b>		1.230 851 0292032122	1.534 1.054 0292032222	2.203 1.504 0292033322
<b>2400</b>		1.342 928 0292032124	1.673 1.149 0292032224	2.404 1.641 0292033324
<b>2600</b>			1.813 1.245 0292032226	
<b>2800</b>			1.952 1.341 0292032228	
<b>3000</b>			2.092 1.437 0292032230	

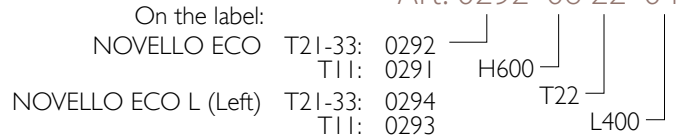
400			
11	21	22	33
676	927	1.173	1.686
201 138 0291041104	278 192 0292042104	351 241 0292042204	501 342 0292043304
252 173 0291041105	348 240 0292042105	438 301 0292042205	627 428 0292043305
303 208 0291041106	417 288 0292042106	526 362 0292042206	753 514 0292043306
353 242 0291041107	487 336 0292042107	614 422 0292042207	877 599 0292043307
404 277 0291041108	557 384 0292042108	701 482 0292042208	1.003 685 0292043308
454 311 0291041109	626 432 0292042109	789 542 0292042209	1.128 770 0292043309
504 346 0291041110	695 480 0292042110	877 602 0292042210	1.254 856 0292043310
555 381 0291041111	765 528 0292042111	964 662 0292042211	1.379 941 0292043311
605 415 0291041112	834 576 0292042112	1.052 723 0292042212	1.504 1.027 0292043312
706 484 0291041114	974 672 0292042114	1.227 843 0292042214	1.755 1.198 0292043314
807 554 0291041116	1.112 768 0292042116	1.403 964 0292042216	2.006 1.369 0292043316
908 623 0291041118	1.252 864 0292042118	1.578 1.084 0292042218	2.257 1.540 0292043318
1.009 692 0291041120	1.391 960 0292042120	1.753 1.205 0292042220	2.507 1.711 0292043320
	1.529 1.056 0292042122	1.929 1.325 0292042222	2.758 1.882 0292043322
	1.669 1.152 0292042124	2.104 1.446 0292042224	3.009 2.053 0292043324
		2.280 1.566 0292042226	
		2.455 1.686 0292042228	
		2.630 1.807 0292042230	

500			
11	21	22	33
833	1.107	1.401	2.007
249 171 0291051104	332 229 0292052104	419 288 0292052204	597 408 0292053304
311 214 0291051105	415 286 0292052105	523 360 0292052205	747 510 0292053305
374 257 0291051106	497 343 0292052106	629 432 0292052206	895 611 0292053306
436 300 0291051107	580 400 0292052107	733 504 0292052207	1.045 713 0292053307
498 343 0291051108	664 457 0292052108	838 576 0292052208	1.194 815 0292053308
561 386 0291051109	746 514 0292052109	943 648 0292052209	1.343 917 0292053309
623 428 0291051110	829 571 0292052110	1.047 720 0292052210	1.492 1.019 0292053310
685 471 0291051111	912 628 0292052111	1.152 792 0292052211	1.642 1.121 0292053311
748 514 0291051112	995 685 0292052112	1.257 864 0292052212	1.791 1.222 0292053312
872 600 0291051114	1.161 800 0292052114	1.466 1.007 0292052214	2.090 1.426 0292053314
997 686 0291051116	1.326 914 0292052116	1.676 1.152 0292052216	2.388 1.630 0292053316
1.121 771 0291051118	1.493 1.028 0292052118	1.885 1.296 0292052218	2.687 1.834 0292053318
1.246 857 0291051120	1.658 1.142 0292052120	2.095 1.439 0292052220	2.985 2.037 0292053320
1.371 943 0291051122	1.824 1.256 0292052122	2.304 1.583 0292052222	3.283 2.241 0292053322
1.495 1.028 0291051124	1.990 1.371 0292052124	2.513 1.727 0292052224	3.582 2.445 0292053324
		2.723 1.871 0292052226	
		2.933 2.015 0292052228	
		3.142 2.159 0292052230	

Core assortment (Stelrad white 9016) available ex factory within 10 days.  
 Core assortment is subject to change, please refer to [www.stelrad.eu](http://www.stelrad.eu) for the latest information.  
 Delivery time depends on the model, please refer to your distributor.

# NOVELLO ECO

Art. 0292 06 22 04



Height	600			
Type	11	21	22	33
W/m 75/65/20°C	980	1.287	1.617	2.313
<b>400</b>	294 203 0291061104	385 265 0292062104	484 332 0292062204	688 470 0292063304
<b>500</b>	367 253 0291061105	482 331 0292062105	604 415 0292062205	860 587 0292063305
<b>600</b>	441 304 0291061106	577 397 0292062106	725 498 0292062206	1.032 705 0292063306
<b>700</b>	514 355 0291061107	674 463 0292062107	846 582 0292062207	1.204 822 0292063307
<b>800</b>	588 405 0291061108	770 529 0292062108	967 665 0292062208	1.376 939 0292063308
<b>900</b>	661 456 0291061109	866 595 0292062109	1.088 748 0292062209	1.548 1.057 0292063309
<b>1000</b>	735 507 0291061110	962 662 0292062110	1.209 831 0292062210	1.720 1.174 0292063310
<b>1100</b>	808 557 0291061111	1.059 728 0292062111	1.330 914 0292062211	1.892 1.291 0292063311
<b>1200</b>	881 608 0291061112	1.155 794 0292062112	1.450 997 0292062212	2.064 1.409 0292063312
<b>1400</b>	1.028 709 0291061114	1.347 926 0292062114	1.693 1.163 0292062214	2.408 1.644 0292063314
<b>1600</b>	1.175 810 0291061116	1.540 1.058 0292062116	1.934 1.329 0292062216	2.752 1.879 0292063316
<b>1800</b>	1.322 912 0291061118	1.733 1.191 0292062118	2.176 1.496 0292062218	3.096 2.113 0292063318
<b>2000</b>	1.469 1.013 0291061120	1.925 1.323 0292062120	2.418 1.662 0292062220	3.440 2.348 0292063320
<b>2200</b>	1.616 1.114 0291061122	2.117 1.455 0292062122	2.659 1.828 0292062222	3.784 2.583 0292063322
<b>2400</b>	1.763 1.216 0291061124	2.310 1.588 0292062124	2.902 1.994 0292062224	4.128 2.818 0292063324
<b>2600</b>			3.143 2.160 0292062226	
<b>2800</b>			3.385 2.327 0292062228	
<b>3000</b>			3.627 2.493 0292062230	

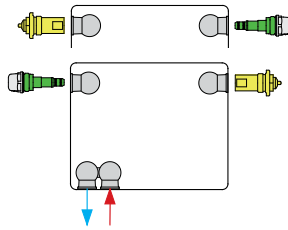
700			
11	21	22	33
1.117	1.467	1.824	2.607
335 231 0291071104	438 301 0292072104	546 375 0292072204	776 529 0292073304
418 288 0291071105	548 376 0292072105	682 469 0292072205	970 662 0292073305
502 346 0291071106	657 451 0292072106	818 562 0292072206	1.163 794 0292073306
586 404 0291071107	767 526 0292072107	955 656 0292072207	1.357 926 0292073307
670 462 0291071108	876 601 0292072108	1.091 750 0292072208	1.551 1.059 0292073308
753 519 0291071109	985 676 0292072109	1.228 844 0292072209	1.745 1.191 0292073309
837 577 0291071110	1.095 751 0292072110	1.364 938 0292072210	1.939 1.323 0292073310
921 635 0291071111	1.205 827 0292072111	1.500 1.031 0292072211	2.133 1.456 0292073311
1.004 693 0291071112	1.314 901 0292072112	1.637 1.125 0292072212	2.326 1.588 0292073312
1.172 808 0291071114	1.533 1.052 0292072114	1.910 1.313 0292072214	2.714 1.853 0292073314
1.339 924 0291071116	1.752 1.202 0292072116	2.182 1.500 0292072216	3.102 2.117 0292073316
1.507 1.039 0291071118	1.972 1.353 0292072118	2.455 1.688 0292072218	3.490 2.382 0292073318
1.674 1.155 0291071120	2.190 1.503 0292072120	2.728 1.875 0292072220	3.878 2.647 0292073320

900			
11	21	22	33
1.360	1.836	2.220	3.180
408 281 0291091104	546 373 0292092104	664 457 0292092204	946 646 0292093304
510 351 0291091105	683 467 0292092105	830 571 0292092205	1.183 807 0292093305
612 422 0291091106	820 560 0292092106	996 685 0292092206	1.419 969 0292093306
714 492 0291091107	956 653 0292092107	1.162 799 0292092207	1.656 1.130 0292093307
816 562 0291091108	1.093 747 0292092108	1.328 914 0292092208	1.892 1.292 0292093308
917 633 0291091109	1.229 840 0292092109	1.495 1.028 0292092209	2.129 1.453 0292093309
1.019 703 0291091110	1.366 933 0292092110	1.661 1.142 0292092210	2.365 1.615 0292093310
1.121 773 0291091111	1.503 1.027 0292092111	1.827 1.256 0292092211	2.602 1.776 0292093311
1.223 844 0291091112	1.639 1.120 0292092112	1.993 1.371 0292092212	2.838 1.938 0292093312
1.427 984 0291091114	1.913 1.307 0292092114	2.325 1.599 0292092214	3.311 2.261 0292093314
1.631 1.125 0291091116	2.186 1.494 0292092116	2.657 1.827 0292092216	3.784 2.583 0292093316
1.835 1.265 0291091118	2.459 1.680 0292092118	2.989 2.056 0292092218	4.257 2.906 0292093318
2.039 1.406 0291091120	2.733 1.867 0292092120	3.321 2.284 0292092220	4.730 3.229 0292093320

# CONNECTION POSSIBILITIES

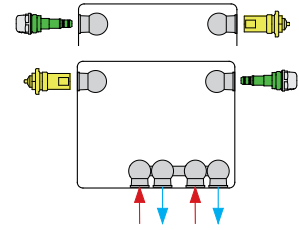
Types 21/22/33

Front of  
left handed  
radiator



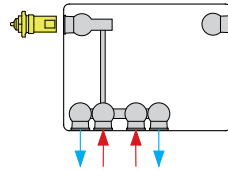
Types 21/22/33

Front of  
right handed  
radiator



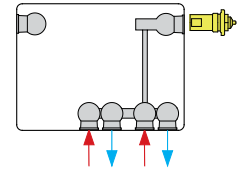
Type 11

Front of  
left handed  
radiator



Type 11

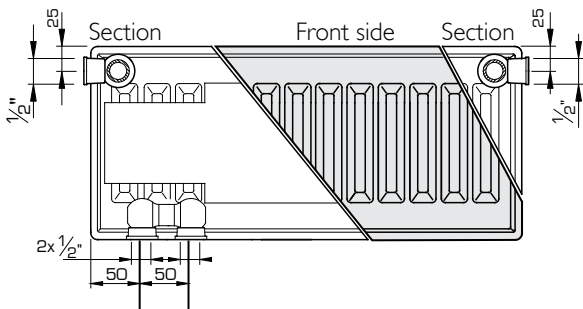
Front of  
right handed  
radiator



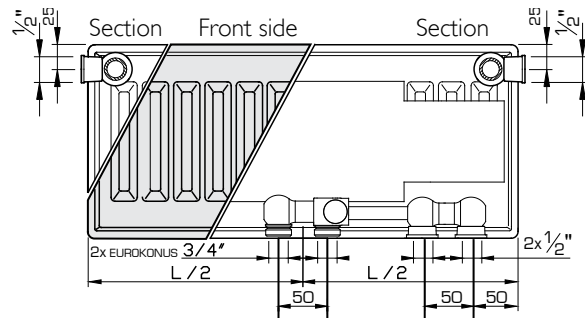
# MOUNTING DIMENSIONS

Types 21/22/33

Left

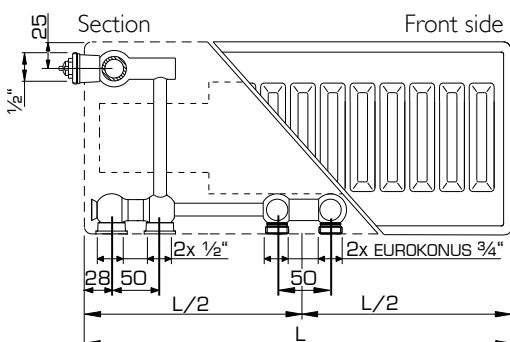


Types 21/22/33

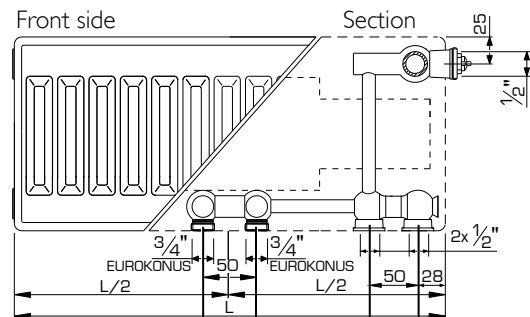


Type 11

Left

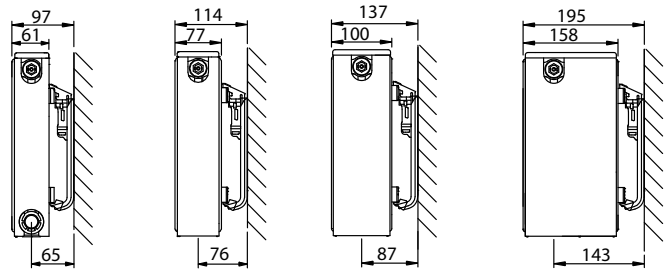


Type 11



# J-BRACKETS (TYPE MONCLAC VDI 6036)

Type 11      Type 21      Type 22      Type 33



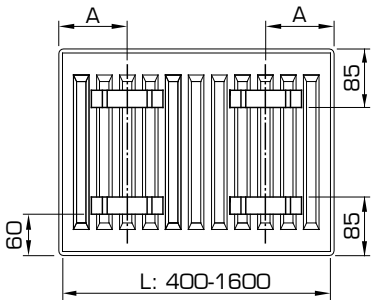
Types 11-33 J-bracket VDI 6036 Class 3	x	y	Art. N°.		Height mm
			2 pcs.	3 pcs.	
	/	140	R509203	R509303	300
	103	240	R509204	R509304	400
	103	340	R509205	R509305	500
	103	440	R509206	R509306	600
	103	540	R509207	R509307	700
	103	740	R509209	R509309	900

For lengths above 1600 mm: 3 brackets needed.

## LUG POSITIONS

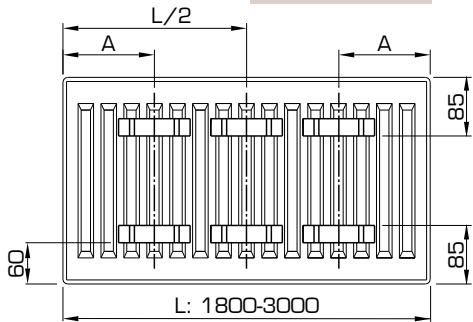
Types 21/22/33

L	A
400-1600	133



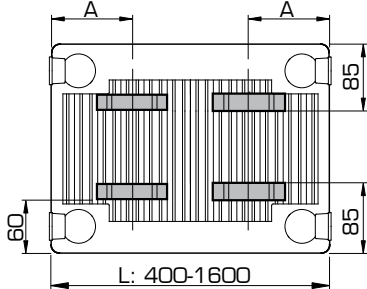
Types 21/22/33

L	A
1800-3000	133



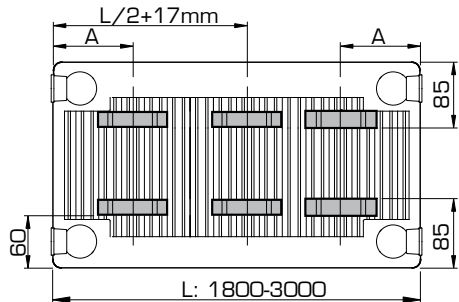
Type 11

L	A
400	117
500-1600	150



Type 11

L	A
1800-3000	150





*Seasons*

*change,*

*and so*

*do we !*

Austria • Belarus • Belgium • Cyprus • Czech Republic • Estonia • France • Germany • Greece • Iceland • Ireland • Lithuania  
Luxemburg • Norway • Poland • Portugal • Slovenia • Spain • Sweden • The Netherlands • Tunisia • Ukraine • United Kingdom

**THE NETHERLANDS**

Caradon Stelrad B.V. | Kathagen 30 | 6361 HG Nuth

[WWW.STELRAD.EU](http://WWW.STELRAD.EU)



**Stelrad**  
Europe's favourite radiator