

DISCOVER CLOUD

ELECTRICAL RANGE

General information

CLOUD

The Cloud is a smooth fronted, curved faced steel radiator. Using dry inertia technology, the radiator heats the air in your rooms via a process of convection, offering exceptional warmth and remarkable energy efficiency wrapped up in a single solution.

Product:	Electric dry inertia radiator
Pre-installed:	Thermostat and a 1,2 m insulated cable with plug.
Also supplied:	Brackets, screws, plugs and manual
Control:	Control via an integrated thermostat with automatic weekly programming, open window detection, presence detection and boost function.
Packaging:	Every radiator is sturdily packaged in high-quality cardboard. The radiator's characteristics are shown on the label: electric power – height – length.
Warranty:	10 years for the radiator and 2 years for the electrical components, as long as the installation instructions have been followed, Stelrad's warranty conditions have been met and the radiator is installed outside the splash area.
Paint process:	All radiators are degreased, phosphated and powder-coated.
Colours:	Traffic white or anthracite grey
Conformity:	EcoDesign 2018 (EU Regulation 2015/1188)
Technical data:	Voltage 230V ~50Hz, IP24, Class II
Height:	600 mm
Lengths:	470 550 830 1.040 mm
Depth:	83 mm
Output:	700 1.000 1.500 2.000 W

Height	Length	Output	Art. N°	Colour
H600	L470	700W	7150B0600010470	Traffic white
			7150D0600010470	Anthracite grey
	L550	1.000W	7150B0600010550	Traffic white
			7150D0600010550	Anthracite grey
	L830	1.500W	7150B0600010830	Traffic white
			7150D0600010830	Anthracite grey
	L1040	2.000W	7150B0600011040	Traffic white
			7150D0600011040	Anthracite grey



ECODESIGN
2018 COMPLIANT

CE
2023



Mounting and installation

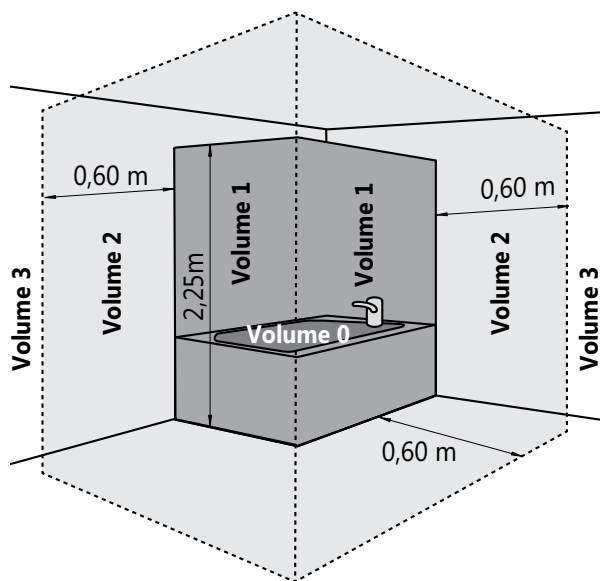
Since the Cloud is a class II heater with an IP24 protection rating, it can be installed as such, in volume 2 or 3 of the bathroom (see figure), provided that it is shielded from water splashes and that the radiator is out reach of persons in the bath or under the shower.

Furthermore, when installed in volume 2, the radiator must additionally be shielded by means of a fixed wall.

The radiator must be installed with the control panel at the top and the electrical wire in the lower section. It is prohibited to install the radiator with the control panel below or on the side.

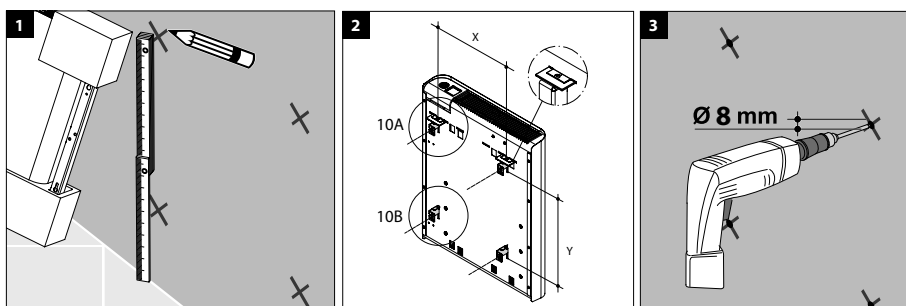
The appliance is insulated according to class II and is therefore not earthed. It needs to be powered by a single-phased current of 230V ~50 Hz.

The plug should be connected to a wall socket placed in volume 3.

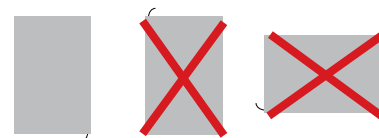


ATTENTION:

In France, the installation of electric radiators with plugs is prohibited.



W	X	Y
700	300	323
1000	360	323
1500	640	323
2000	850	323



[click here](#)



The assembly instructions are available on [our website](#), technical data of Cloud or via the QR-code:



Austria • Belarus • Belgium • Cyprus • Czech Republic • Estonia • France • Germany • Greece • Iceland • Ireland • Lithuania
Luxemburg • Norway • Poland • Portugal • Slovenia • Spain • Sweden • The Netherlands • Tunisia • Ukraine • United Kingdom

THE NETHERLANDS

Caradon Stelrad B.V. | Kathagen 30 | 6361 HG Nuth

WWW.STELRAD.EU

