

DISCOVER ALYNE

General information

ALYNE

The Alyne is made with slim and compact vertical flat columns which stylishly curve at the top.

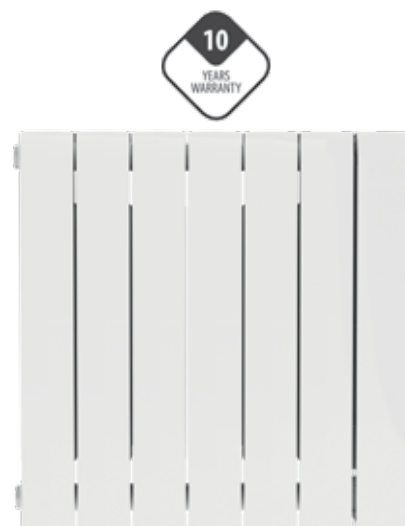
Product:	Electric horizontal radiator
Pre-installed:	Prefilled with oil, equipped with a thermostat and a 1,2 m insulated cable with plug.
Also supplied:	Brackets, screws, plugs and manual
Control:	Control via an integrated thermostat with automatic weekly programming, open window detection, presence detection and boost function.
Packaging:	Every radiator is sturdily packaged in high-quality cardboard. The radiator's characteristics are shown on the label: electric power – height – length.
Warranty:	10 years for the radiator and 2 years for the electrical components, as long as the installation instructions have been followed, Stelrad's warranty conditions have been met and the radiator is installed outside the splash area.
Paint process:	All radiators are degreased, phosphated, primed and powder-coated.
Colour:	Traffic white
Conformity:	EcoDesign 2018 (EU Regulation 2015/1188)
Technical data:	Voltage 230V ~50Hz, IP24, Class II
Height:	580 mm
Lengths:	580 820 980 mm
Depth:	90 mm
Output:	1.000 1.500 1.800 W

Height	Length	Output	Art. N°	Colour
H580	L580	1.000 W	7151B0580010580	Traffic white
	L820	1.500 W	7151B0580010820	
	L980	1.800 W	7151B0580010980	



ECODESIGN
2018 COMPLIANT

CE
2023



Mounting and installation

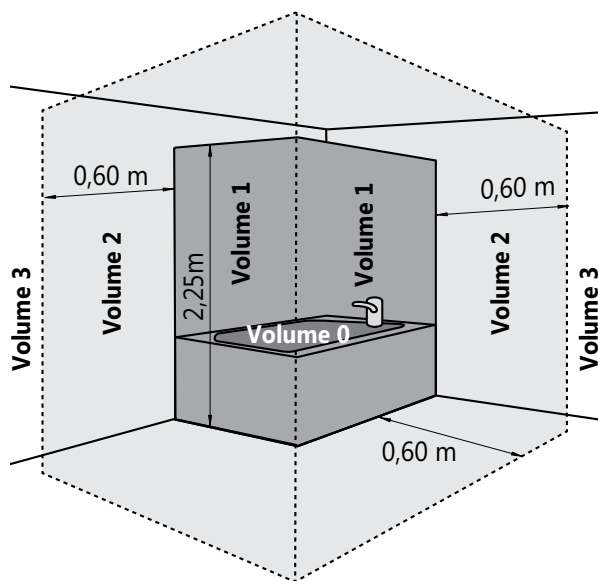
Since the Alyne is a class II heater with an IP24 protection rating, it can be installed as such, in volume 2 or 3 of the bathroom (see figure), provided that it is shielded from water splashes and that the radiator is out reach of persons in the bath or under the shower.

Furthermore, when installed in volume 2, the radiator must additionally be shielded by means of a fixed wall.

The radiator must be installed with the control panel at the top and the electrical wire in the lower section. It is prohibited to install the radiator with the control panel below or on the side.

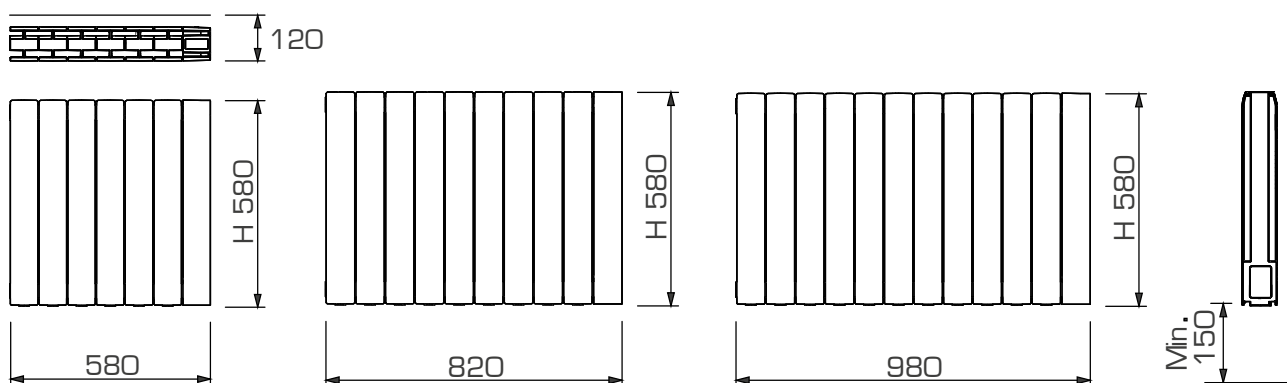
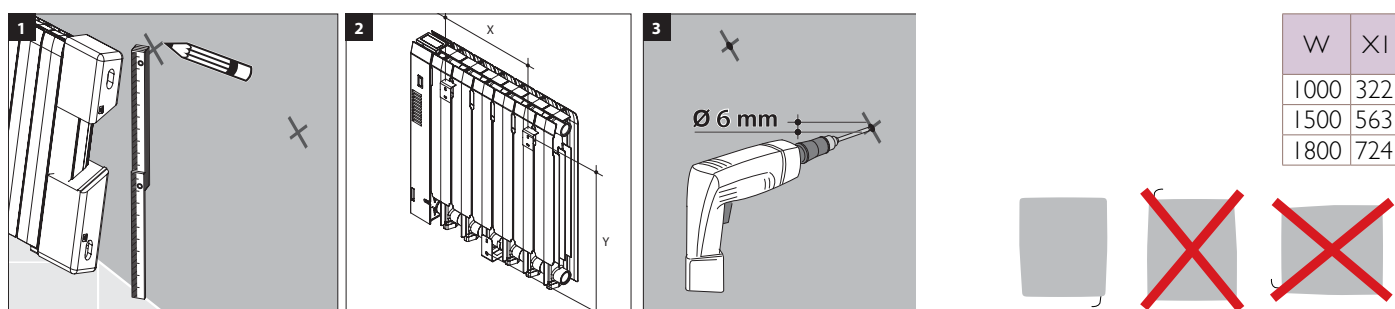
The appliance is insulated according to class II and is therefore not earthed. It needs to be powered by a single-phased current of 230V ~50 Hz.

The plug should be connected to a wall socket placed in volume 3.

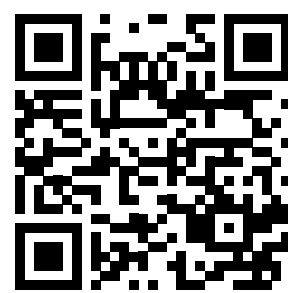


ATTENTION:

In France, the installation of electric radiators with plugs is prohibited.



[click here](#)



The assembly instructions are available on [our website](#), technical data of Alyne or via the QR-code:



Austria • Belarus • Belgium • Cyprus • Czech Republic • Estonia • France • Germany • Greece • Iceland • Ireland • Lithuania
Luxemburg • Norway • Poland • Portugal • Slovenia • Spain • Sweden • The Netherlands • Tunisia • Ukraine • United Kingdom

THE NETHERLANDS

Caradon Stelrad B.V. | Kathagen 30 | 6361 HG Nuth

WWW.STELRAD.EU

