



DISCOVER ACCORD ALL IN

DISCOVER GALVA

STANDARD RADIATORS

ACCORD ALL IN

The Accord All In radiator is a panel radiator without upper grille or side panels, made from high-quality steel. A classic icon.

Product:	a classic panel radiator
Finishing:	without upper grille or side panels
Also supplied:	L-brackets, screws, plugs, blind plug, air vent and installation instructions
Connections:	4 x ½" female connection
Lugs:	2 pairs of mounting lugs up to 1.600 mm and 3 pairs from 1.800 mm
Packaging:	Every radiator is sturdily packaged in high-quality cardboard and wrapped in plastic. The radiator's characteristics are shown on the label: type – height – length.
Warranty:	10 years, as long as the installation instructions have been followed and Stelrad's warranty conditions have been met.
Paint process:	All radiators are degreased, phosphated, cataphoretically primed and powder-coated in Stelrad white 9016 as standard.
Colours:	Stelrad white 9016 + 35 different Stelrad colours and about 200 RAL-colours are possible
Heat cost allocator:	Suitable for heat cost allocators, both electronic and according to the evaporation principle (covered by the norm of EN834 & EN835).
Max. operating pressure:	10 bar (tested to 13 bar)
Max. operating temperature:	110 °C
Conformity:	in accordance with EN442
Quality assurance:	NF
Types:	11 21 22 33
Heights:	300 400 500 600 700 900 mm
Lengths:	400 – 3.000 mm
Depths:	60 77 100 158 mm



SPECIAL RADIATORS

GALVA

With an Accord All In radiator as a base and an extra protective galvanised coating for humid spaces underneath, the Galva radiator is the ideal panel radiator for your bathroom.

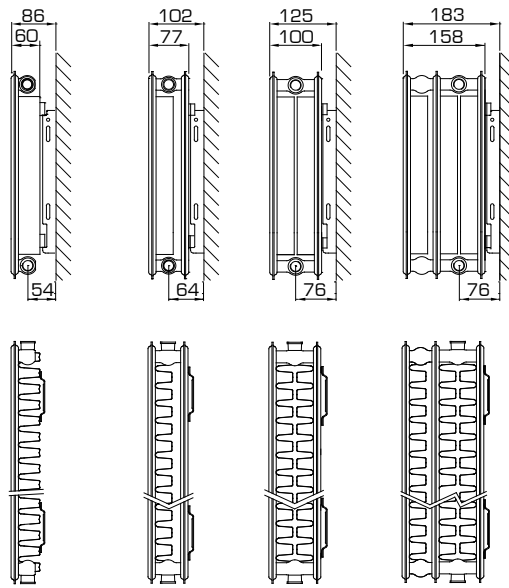
Product:	naked panel radiator with a protective galvanised coating
Finishing:	protective galvanised coating and without upper grille and side panels
Also supplied:	L-brackets, screws, plugs, blind plug, air vent and installation instructions
Connections:	4 x ½" female connection
Lugs:	2 pairs of mounting lugs up to 1.600 mm and 3 pairs from 1.800 mm
Packaging:	Every radiator is sturdily packaged in high-quality cardboard and wrapped in plastic. The radiator's characteristics are shown on the label: type – height – length.
Warranty:	10 years, as long as the installation instructions have been followed and Stelrad's warranty conditions have been met.
Paint process:	All radiators are galvanised, degreased, phosphated, cataphoretically primed and powder-coated in Stelrad white 9016 as standard.
Colours:	Stelrad white 9016 + 35 different Stelrad colours and about 200 RAL-colours are possible
Heat cost allocator:	Suitable for heat cost allocators, both electronic and according to the evaporation principle (covered by the norm of EN834 & EN835).
Max. operating pressure:	10 bar (tested to 13 bar)
Max. operating temperature:	110 °C
Conformity:	in accordance with EN442
Types:	11 21 22 33
Heights:	300 400 500 600 700 900 mm
Lengths:	400 – 3.000 mm
Depths:	60 77 100 158 mm



Calculation factor
per meter
at 75/65/20°C
according to EN442

Characteristic equation:

$$\Phi = K_M \times \Delta T^n$$



Height		Type 11	Type 21	Type 22	Type 33	Centre distance
300	W	517	776	1.012	1.418	250
	kg	8,38	13,71	15,90	23,80	
	l	1,89	3,70	3,70	5,40	
	m ²	2,09	2,44	3,51	5,26	
	n	1,31	1,33	1,33	1,32	
400	W	687	1.000	1.281	1.805	350
	kg	11,68	18,78	21,83	32,67	
	l	2,34	4,67	4,67	6,87	
	m ²	2,95	3,37	4,92	7,38	
	n	1,31	1,33	1,33	1,33	
500	W	848	1.210	1.535	2.169	450
	kg	14,99	23,84	27,77	41,53	
	l	2,80	5,63	5,63	8,33	
	m ²	3,80	4,31	6,33	9,49	
	n	1,30	1,33	1,33	1,34	
600	W	1.000	1.409	1.778	2.514	550
	kg	18,30	28,90	33,70	50,40	
	l	3,25	6,60	6,60	9,80	
	m ²	4,66	5,24	7,74	11,61	
	n	1,29	1,33	1,33	1,35	
700	W	1.142	1.597	2.011	2.841	650
	kg	21,33	33,50	39,13	58,47	
	l	3,77	7,63	7,63	11,37	
	m ²	5,51	6,18	9,15	13,72	
	n	1,29	1,34	1,34	1,35	
900	W	1.397	1.941	2.453	3.448	850
	kg	27,40	42,70	50,00	74,60	
	l	4,80	9,70	9,70	14,50	
	m ²	7,22	8,05	11,97	17,96	
	n	1,29	1,36	1,35	1,37	

W=heat output per meter / kg=weight per meter / l=content per meter / m²=surface per meter / n=exponent
The manufacturer reserves the right to alter any of the specifications shown in this document without prior notice.

GALVA

Heat outputs in Watt according to EN442

EN442 (W) 70/50/20°C

EN442 (W) 55/45/20°C

EN442 (W) 75/65/20°C



Height	300			
Type	11	21	22	33
400	154	230	301	423
	106	157	205	290
	207	310	405	567
500	192	288	376	529
	132	197	256	362
	259	388	506	709
600	231	346	451	635
	158	236	307	435
	310	466	607	851
700	270	404	526	740
	185	275	358	507
	362	543	708	993
800	309	462	602	846
	212	315	410	579
	414	621	810	1.134
900	347	519	677	951
	238	354	461	652
	465	698	911	1.276
1000	386	577	752	1.057
	264	394	512	724
	517	776	1.012	1.418
1100	424	635	827	1.163
	291	433	563	797
	569	854	1.113	1.560
1200	462	692	902	1.269
	317	472	614	869
	620	931	1.214	1.702
1400	540	807	1.052	1.480
	370	551	717	1.014
	724	1.086	1.417	1.985
1600		923	1.202	1.692
		630	819	1.159
		1.242	1.619	2.269
1800		1.038	1.353	1.903
		709	922	1.303
		1.397	1.822	2.552
2000		1.154	1.503	2.115
		787	1.024	1.448
		1.552	2.024	2.836
2200		1.269	1.653	2.326
		866	1.127	1.593
		1.707	2.226	3.120
2400		1.384	1.804	2.537
		944	1.229	1.738
		1.862	2.429	3.403
2600			1.954	
			1.332	
			2.631	
2800			2.105	
			1.434	
			2.834	
3000			2.255	
			1.537	
			3.036	

400			
11	21	22	33
205	297	380	537
141	203	259	367
275	400	512	722
257	372	475	671
177	254	324	458
344	500	641	903
308	446	571	806
211	304	389	550
412	600	769	1.083
359	520	666	940
247	355	454	642
481	700	897	1.264
411	595	761	1.074
282	406	519	733
550	800	1.025	1.444
462	669	857	1.208
317	457	584	825
618	900	1.153	1.625
513	743	952	1.343
353	507	649	917
687	1.000	1.281	1.805
565	818	1.047	1.477
388	558	713	1.009
756	1.100	1.409	1.986
616	892	1.142	1.611
423	609	778	1.100
824	1.200	1.537	2.166
719	1.041	1.332	1.880
494	710	908	1.284
962	1.400	1.793	2.527
821	1.190	1.523	2.148
564	812	1.038	1.467
1.099	1.600	2.050	2.888
924	1.338	1.713	2.417
635	913	1.168	1.650
1.237	1.800	2.306	3.249
1.027	1.487	1.903	2.685
705	1.015	1.297	1.834
1.374	2.000	2.562	3.610
	1.636	2.093	2.954
	1.116	1.427	2.017
	2.200	2.818	3.971
	1.784	2.284	3.222
	1.218	1.557	2.200
	2.400	3.074	4.332
		2.474	
		1.687	
		3.331	
		2.665	
		1.816	
		3.587	
		2.855	
		1.946	
		3.843	

500			
11	21	22	33
254	360	456	644
175	246	311	439
339	484	614	868
317	450	571	804
219	307	389	548
424	605	768	1.085
381	540	684	965
262	368	467	657
509	726	921	1.301
445	630	798	1.127
306	430	544	767
594	847	1.075	1.518
508	720	912	1.288
350	491	622	877
678	968	1.228	1.735
571	810	1.027	1.449
393	553	700	986
763	1.089	1.382	1.952
635	900	1.140	1.610
437	614	778	1.096
848	1.210	1.535	2.169
699	990	1.254	1.771
481	675	855	1.205
933	1.331	1.689	2.386
762	1.080	1.369	1.932
525	737	933	1.315
1.018	1.452	1.842	2.603
889	1.260	1.597	2.254
612	860	1.089	1.534
1.187	1.694	2.149	3.037
1.016	1.440	1.825	2.575
700	983	1.244	1.753
1.357	1.936	2.456	3.470
1.143	1.619	2.053	2.897
787	1.105	1.400	1.972
1.526	2.178	2.763	3.904
1.270	1.799	2.281	3.219
874	1.228	1.555	2.192
1.696	2.420	3.070	4.338
1.397	1.979	2.509	3.541
962	1.351	1.711	2.411
1.866	2.662	3.377	4.772
1.524	2.159	2.737	3.863
1.049	1.474	1.866	2.630
2.035	2.904	3.684	5.206
		2.965	
		2.022	
		3.991	
		3.193	
		2.177	
		4.298	
		3.421	
		2.333	
		4.605	

Steelrad BV/PL 19/01/07/E013

GALVA

Heat outputs in Watt according to EN442

ACCORD ALL IN

On the label:
4-CONNECTIONS GALVA
4-CONNECTIONS ALL IN

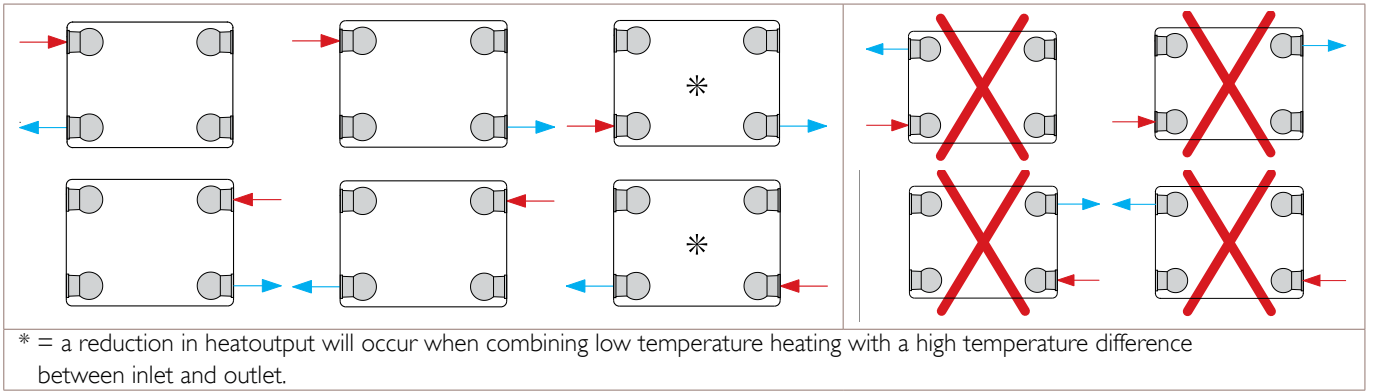
Art. 0107 09 22 04
T11-33: 0107
T11-33: 0601 H900
T22
L400

Height	600			
	11	21	22	33
400	300	419	528	745
	207	286	360	505
	400	564	711	1.006
500	375	524	661	931
	259	357	451	632
	500	705	889	1.257
600	450	628	793	1.116
	311	429	541	758
	600	845	1.067	1.508
700	525	733	925	1.303
	363	501	631	884
	700	986	1.245	1.760
800	600	838	1.057	1.489
	414	572	721	1.010
	800	1.127	1.422	2.011
900	675	943	1.189	1.675
	466	644	811	1.137
	900	1.268	1.600	2.263
1000	750	1.048	1.321	1.861
	518	715	901	1.263
	1.000	1.409	1.778	2.514
1100	825	1.153	1.454	2.047
	570	787	991	1.389
	1.100	1.550	1.956	2.765
1200	900	1.258	1.586	2.234
	621	858	1.081	1.516
	1.200	1.691	2.134	3.017
1400	1.050	1.467	1.850	2.606
	725	1.002	1.261	1.769
	1.400	1.973	2.489	3.520
1600	1.200	1.676	2.114	2.978
	829	1.144	1.442	2.021
	1.600	2.254	2.845	4.022
1800	1.350	1.886	2.378	3.350
	932	1.287	1.622	2.274
	1.800	2.536	3.200	4.525
2000	1.500	2.096	2.642	3.722
	1.036	1.431	1.802	2.526
	2.000	2.818	3.556	5.028
2200	1.650	2.305	2.907	4.095
	1.139	1.574	1.982	2.779
	2.200	3.100	3.912	5.531
2400	1.800	2.515	3.171	4.467
	1.243	1.717	2.162	3.032
	2.400	3.382	4.267	6.034
2600			3.435	
			2.343	
			4.623	
2800			3.699	
			2.523	
			4.978	
3000			3.964	
			2.703	
			5.334	

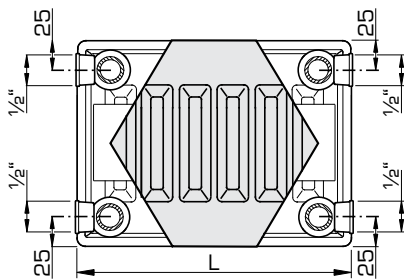
700			
11	21	22	33
343	474	597	840
237	323	406	569
457	639	804	1.136
428	592	747	1.050
296	403	508	711
571	799	1.006	1.421
514	711	896	1.260
355	484	610	854
685	958	1.207	1.705
599	830	1.045	1.470
414	565	711	996
799	1.118	1.408	1.989
686	948	1.194	1.680
473	646	813	1.138
914	1.278	1.609	2.273
771	1.066	1.343	1.890
532	726	914	1.280
1.028	1.437	1.810	2.557
857	1.185	1.492	2.100
591	807	1.016	1.422
1.142	1.597	2.011	2.841
942	1.304	1.641	2.310
650	888	1.117	1.564
1.256	1.757	2.212	3.125
1.028	1.422	1.791	2.520
709	968	1.219	1.707
1.370	1.916	2.413	3.409
1.199	1.659	2.089	2.940
828	1.130	1.422	1.991
1.599	2.236	2.815	3.977
1.370	1.896	2.388	3.360
946	1.291	1.626	2.276
1.827	2.555	3.218	4.546
1.542	2.134	2.686	3.780
1.064	1.452	1.829	2.560
2.056	2.875	3.620	5.114
1.713	2.370	2.985	4.200
1.182	1.614	2.032	2.845
2.284	3.194	4.022	5.682

900			
11	21	22	33
419	573	726	1.016
289	388	492	685
559	776	981	1.379
523	717	907	1.270
361	485	615	857
699	971	1.227	1.724
628	861	1.089	1.524
433	583	739	1.028
838	1.165	1.472	2.069
733	1.004	1.271	1.779
506	680	862	1.200
978	1.359	1.717	2.414
838	1.148	1.452	2.032
578	777	985	1.371
1.118	1.553	1.962	2.758
942	1.291	1.634	2.286
650	874	1.108	1.542
1.257	1.747	2.208	3.103
1.047	1.434	1.815	2.540
723	971	1.231	1.713
1.397	1.941	2.453	3.448
1.152	1.578	1.997	2.795
795	1.068	1.354	1.885
1.537	2.135	2.698	3.793
1.257	1.721	2.179	3.049
867	1.165	1.478	2.056
1.676	2.329	2.944	4.138
1.467	2.008	2.541	3.556
1.012	1.359	1.724	2.399
1.956	2.717	3.434	4.827
1.676	2.295	2.904	4.065
1.156	1.554	1.970	2.742
2.235	3.106	3.925	5.517
1.885	2.582	3.267	4.572
1.301	1.748	2.216	3.084
2.515	3.494	4.415	6.206
2.095	2.869	3.630	5.081
1.445	1.942	2.462	3.427
2.794	3.882	4.906	6.896

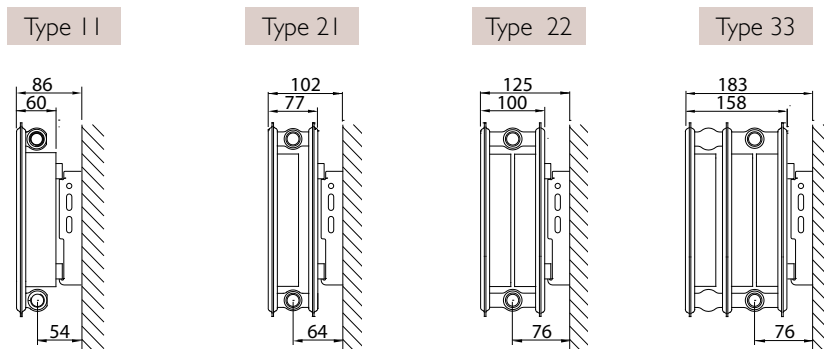
CONNECTION POSSIBILITIES



MOUNTING DIMENSIONS



L-BRACKETS



Remark T11-33: images show the short wall distances, wall distances increase with +15 mm when using the long bracket side.

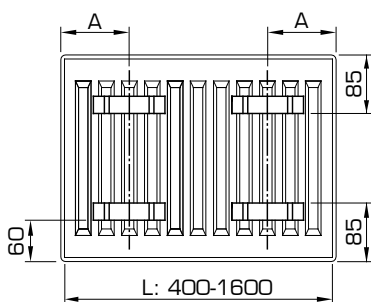
Types 11-33 L-bracket (galvanised)	z1 z2		Art. N°		Height mm
	z1	z2	2 pcs.	3 pcs.	
	190	170	R512403	R512503	300
	290	270	R512404	R512504	400
	390	370	R512405	R512505	500
	490	470	R512406	R512506	600
	590	570	R512407	R512507	700
	790	770	R512409	R512509	900

For lengths above 1600 mm: 3 brackets needed.

LUG POSITIONS

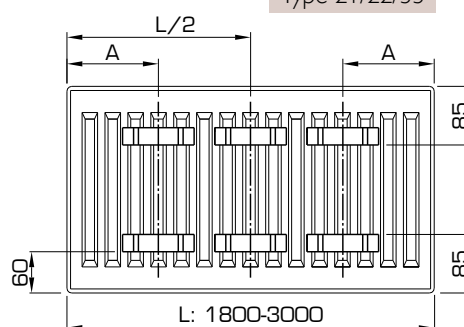
Type 21/22/33

L	A
400-1600	133



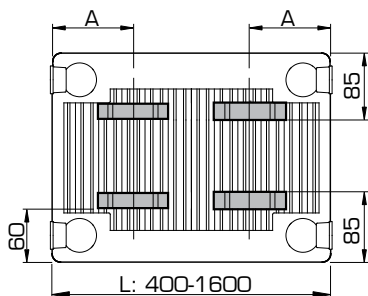
Type 21/22/33

L	A
1800-3000	133



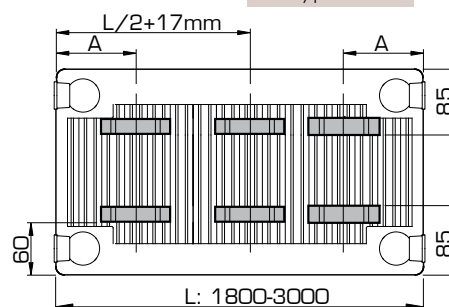
Type 11

L	A
400	117
500-1600	150



Type 11

L	A
1800-3000	150





Seasons

change,

and so

do we !

Austria • Belarus • Belgium • Cyprus • Czech Republic • Estonia • France • Germany • Greece • Iceland • Ireland • Lithuania
Luxemburg • Norway • Poland • Portugal • Slovenia • Spain • Sweden • The Netherlands • Tunisia • Ukraine • United Kingdom

THE NETHERLANDS

Caradon Stelrad B.V. | Kathagen 30 | 6361 HG Nuth

WWW.STELRAD.EU

