

Novello



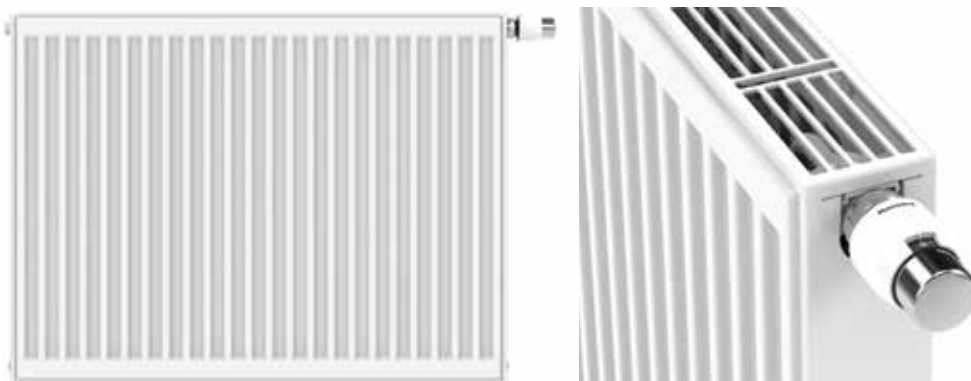
DISCOVER NOVELLO

General information

NOVELLO

The Novello radiator is a fully dressed radiator equipped with an integrated adjustable valve insert. This radiator can be connected either as a valve or as a compact radiator.

Product:	fully encased valve radiator
Finishing:	upper grille and side panels
Pre-installed:	preset Heimeier 4368 or 4369 valve insert, air vent and blind plugs
Valve insert:	The integrated adjustable valve insert (without thermostatic head) is factory-fit on the right side of the radiator; CEN certified, tested in accordance with EN215 and compatible with thermostatic heads M30 x 1,5 mm. The thermostatic valve insert is factory-set in relation to the size of the radiator. This presetting ensures optimum throughput in the radiator. Factory setting for two-pipe systems, also suitable for one-pipe systems (as long as the valve insert is adjusted to position 8).
Also supplied:	Monclac brackets (VDI compliant when used in combination with included anti-slide clips), screws, plugs and installation instructions
Connections:	6 x 1/2" female connection (2 x 1/2" lateral bottom connection included). Left handed version: types 21, 22 and 33 are reversible, type 11 is available on request.
Lugs:	Type 11 is equipped with 2 pairs of mounting lugs up to 1.600 mm and 3 pairs from 1.800 mm
Packaging:	Every radiator is sturdily packaged in high-quality cardboard and wrapped in plastic. The radiator's characteristics are shown on the label: type – height – length.
Warranty:	10 years, as long as the installation instructions have been followed and Stelrad's warranty conditions have been met.
Paint process:	All radiators are degreased, phosphated, cataphoretically primed and powder-coated in Stelrad white 9016 as standard.
Colours:	Stelrad white 9016 + 35 different Stelrad colours and about 200 RAL-colours are possible
Heat cost allocator:	Suitable for heat cost allocators, both electronic and according to the evaporation principle (covered by the norm of EN834 & EN835).
Max. operating pressure:	10 bar (tested to 13 bar)
Max. operating temperature:	110 °C
Conformity:	in accordance with EN442
Quality assurance:	NF
Types:	11 21 22 33
Heights:	300 400 500 600 700 900 mm
Lengths:	400 – 3.000 mm
Depths:	61 77 100 158 mm



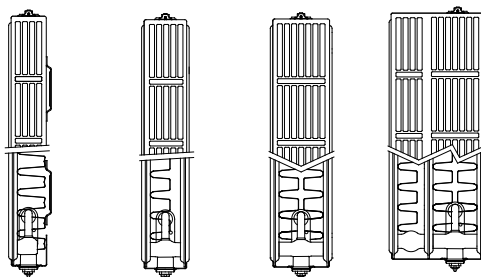
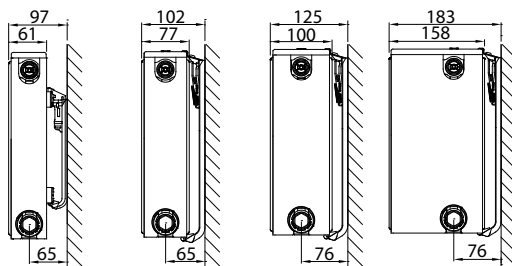
STANDARD RADIATORS

Type overview

Calculation factor
per meter
at 75/65/20°C
according to EN442

Characteristic equation:

$$\Phi = K_M \times \Delta T^n$$



Height		Type 11	Type 21	Type 22	Type 33	Centre distance
300	W	509	745	982	1.349	250
	kg	9,31	14,29	16,80	25,20	
	l	1,89	3,70	3,70	5,40	
	m ²	2,09	2,44	3,51	5,26	
	n	1,32	1,33	1,33	1,31	
400	W	676	954	1.245	1.711	350
	kg	12,78	19,46	22,87	34,30	
	l	2,34	4,67	4,67	6,87	
	m ²	2,95	3,37	4,92	7,38	
	n	1,31	1,33	1,33	1,32	
500	W	833	1.153	1.494	2.056	450
	kg	16,24	24,63	28,93	43,40	
	l	2,80	5,63	5,63	8,33	
	m ²	3,80	4,31	6,33	9,49	
	n	1,30	1,34	1,33	1,32	
600	W	980	1.345	1.732	2.389	550
	kg	19,70	29,80	35,00	52,50	
	l	3,25	6,60	6,60	9,80	
	m ²	4,66	5,24	7,74	11,61	
	n	1,29	1,34	1,33	1,32	
700	W	1.117	1.530	1.961	2.712	650
	kg	22,90	34,50	40,53	60,77	
	l	3,77	7,63	7,63	11,37	
	m ²	5,51	6,18	9,15	13,72	
	n	1,29	1,34	1,34	1,34	
900	W	1.360	1.883	2.395	3.334	850
	kg	29,30	43,90	51,60	77,30	
	l	4,80	9,70	9,70	14,50	
	m ²	7,22	8,05	11,97	17,96	
	n	1,29	1,34	1,35	1,37	

W=heat output per meter / kg=weight per meter / l=content per meter / m²=surface per meter / n=exponent
The manufacturer reserves the right to alter any of the specifications shown in this document without prior notice.

NOVELLO

Heat outputs in Watt according to EN442



EN442 (W) 70/50/20°C

EN442 (W) 55/45/20°C

Stelrad BV/PL 19/01/07/E013

Height	300			
Type	11	21	22	33
W/m 75/65/20°C	509	745	982	1.349
400	152 104 0223031104	221 151 0221032104	292 200 0221032204	403 276 0221033304
500	189 129 0223031105	276 189 0221032105	365 249 0221032205	503 345 0221033305
600	227 155 0223031106	332 227 0221032106	438 299 0221032206	603 414 0221033306
700	265 181 0223031107	388 265 0221032107	511 349 0221032207	704 483 0221033307
800	303 207 0223031108	443 302 0221032108	585 399 0221032208	805 552 0221033308
900	341 233 0223031109	498 340 0221032109	658 449 0221032209	906 621 0221033309
1000	379 259 0223031110	554 378 0221032110	730 499 0221032210	1.006 690 0221033310
1100	417 285 0223031111	609 416 0221032111	803 548 0221032211	1.107 759 0221033311
1200	455 311 0223031112	664 453 0221032112	876 598 0221032212	1.208 828 0221033312
1400	531 363 0223031114	775 529 0221032114	1.023 698 0221032214	1.409 966 0221033314
1600		886 604 0221032116	1.169 798 0221032216	1.610 1.103 0221033316
1800		997 680 0221032118	1.315 898 0221032218	1.811 1.241 0221033318
2000		1.107 755 0221032120	1.461 997 0221032220	2.012 1.379 0221033320
2200		1.218 831 0221032122	1.607 1.097 0221032222	2.214 1.517 0221033322
2400		1.329 907 0221032124	1.753 1.197 0221032224	2.415 1.655 0221033324
2600			1.899 1.297 0221032226	
2800			2.045 1.397 0221032228	
3000			2.191 1.496 0221032230	

400			
11	21	22	33
676	954	1.245	1.711
201 138 0223041104	284 193 0221042104	370 253 0221042204	510 349 0221043304
252 173 0223041105	354 241 0221042105	462 315 0221042205	638 437 0221043305
303 208 0223041106	425 290 0221042106	555 379 0221042206	766 524 0221043306
353 242 0223041107	496 338 0221042107	648 442 0221042207	893 611 0221043307
404 277 0223041108	567 386 0221042108	740 505 0221042208	1.020 699 0221043308
454 311 0223041109	638 435 0221042109	833 568 0221042209	1.148 786 0221043309
504 346 0223041110	709 483 0221042110	925 631 0221042210	1.275 873 0221043310
555 381 0223041111	779 531 0221042111	1.018 695 0221042211	1.403 960 0221043311
605 415 0223041112	850 580 0221042112	1.111 758 0221042212	1.530 1.048 0221043312
706 484 0223041114	992 676 0221042114	1.296 884 0221042214	1.785 1.222 0221043314
807 554 0223041116	1.134 773 0221042116	1.481 1.010 0221042216	2.041 1.397 0221043316
908 623 0223041118	1.275 869 0221042118	1.666 1.137 0221042218	2.296 1.572 0221043318
1.009 692 0223041120	1.417 966 0221042120	1.851 1.263 0221042220	2.551 1.746 0221043320
	1.559 1.063 0221042122	2.036 1.389 0221042222	2.806 1.921 0221043322
	1.701 1.159 0221042124	2.221 1.515 0221042224	3.061 2.095 0221043324
		2.406 1.642 0221042226	
		2.591 1.768 0221042228	
		2.776 1.894 0221042230	

500			
11	21	22	33
833	1.153	1.494	2.056
249 171 0223051104	342 233 0221052104	444 303 0221052204	612 419 0221053304
311 214 0223051105	428 291 0221052105	555 378 0221052205	766 524 0221053305
374 257 0223051106	514 350 0221052106	666 454 0221052206	919 629 0221053306
436 300 0223051107	599 408 0221052107	777 530 0221052207	1.072 733 0221053307
498 343 0223051108	684 466 0221052108	888 605 0221052208	1.225 838 0221053308
561 386 0223051109	771 525 0221052109	999 681 0221052209	1.378 943 0221053309
623 428 0223051110	856 583 0221052110	1.110 757 0221052210	1.531 1.047 0221053310
685 471 0223051111	941 641 0221052111	1.221 832 0221052211	1.685 1.152 0221053311
748 514 0223051112	1.027 700 0221052112	1.332 908 0221052212	1.838 1.257 0221053312
872 600 0223051114	1.198 816 0221052114	1.554 1.059 0221052214	2.144 1.466 0221053314
997 686 0223051116	1.370 933 0221052116	1.776 1.210 0221052216	2.451 1.676 0221053316
1.121 771 0223051118	1.540 1.049 0221052118	1.998 1.362 0221052218	2.757 1.886 0221053318
1.246 857 0223051120	1.712 1.166 0221052120	2.220 1.513 0221052220	3.063 2.095 0221053320
1.371 943 0223051122	1.883 1.283 0221052122	2.442 1.665 0221052222	3.369 2.304 0221053322
1.495 1.028 0223051124	2.054 1.399 0221052124	2.664 1.816 0221052224	3.675 2.514 0221053324
		2.885 1.967 0221052226	
		3.108 2.118 0221052228	
		3.330 2.270 0221052230	

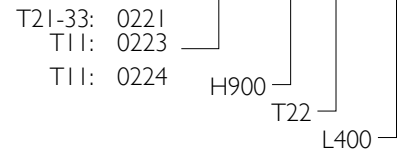
Core assortment (Stelrad white 9016) available ex factory within 10 days.
 Core assortment is subject to change, please refer to www.stelrad.eu for the latest information.
 Delivery time depends on the model, please refer to your distributor.

NOVELLO

On the label:
6-CONNECTIONS

6-CONNECTIONS L (Left)

Art. 0221 09 22 04

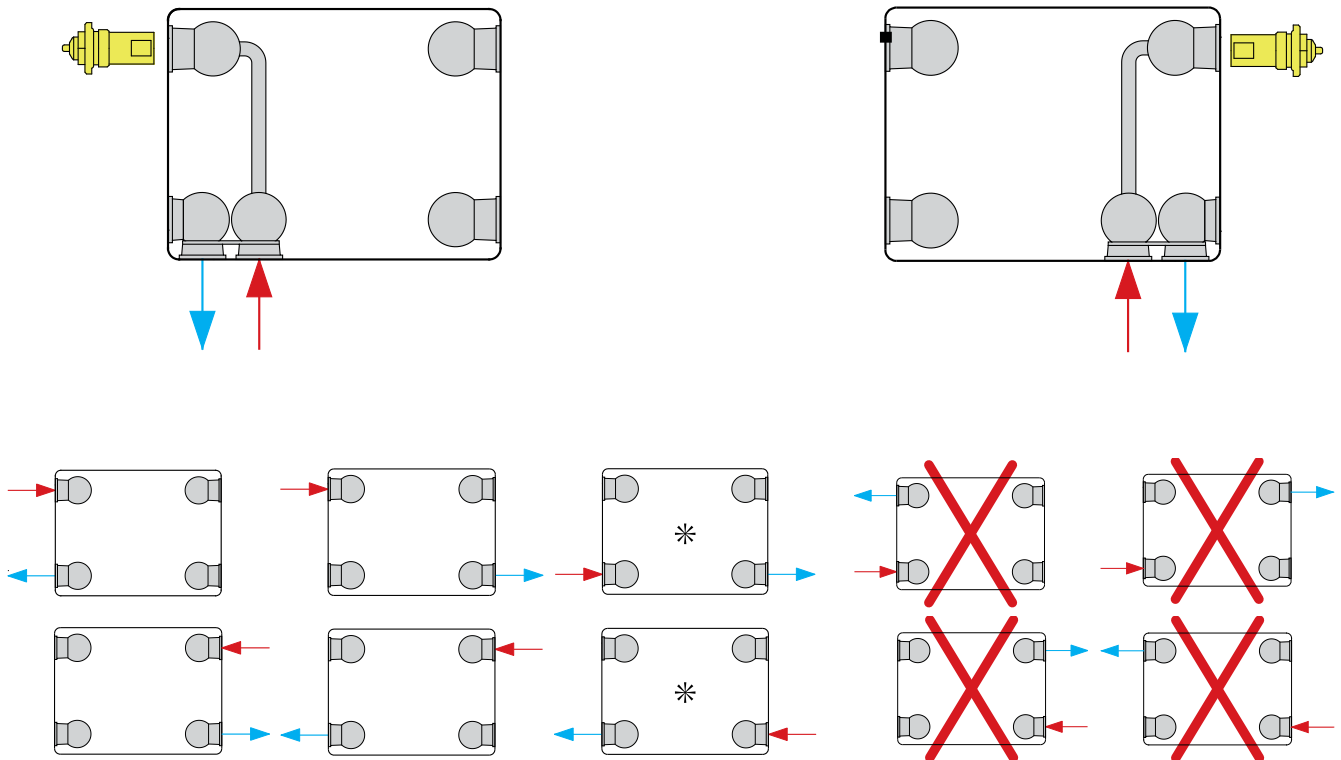


Height	600			
	11	21	22	33
Type	11	21	22	33
W/m 75/65/20°C	980	1.345	1.732	2.389
400	294 203	399 272	515 350	712 486
	0223061104	0221062104	0221062204	0221063304
500	367 253	499 339	643 438	889 607
	0223061105	0221062105	0221062205	0221063305
600	441 304	599 407	771 525	1.067 729
	0223061106	0221062106	0221062206	0221063306
700	514 355	699 476	900 613	1.244 850
	0223061107	0221062107	0221062207	0221063307
800	588 405	798 543	1.029 701	1.422 972
	0223061108	0221062108	0221062208	0221063308
900	661 456	898 611	1.157 788	1.600 1.094
	0223061109	0221062109	0221062209	0221063309
1000	735 507	998 679	1.286 876	1.778 1.215
	0223061110	0221062110	0221062210	0221063310
1100	808 557	1.098 747	1.414 963	1.956 1.337
	0223061111	0221062111	0221062211	0221063311
1200	881 608	1.197 815	1.543 1.051	2.134 1.458
	0223061112	0221062112	0221062212	0221063312
1400	1.028 709	1.397 951	1.800 1.226	2.490 1.701
	0223061114	0221062114	0221062214	0221063314
1600	1.175 810	1.596 1.086	2.057 1.401	2.845 1.944
	0223061116	0221062116	0221062216	0221063316
1800	1.322 912	1.796 1.222	2.315 1.577	3.200 2.187
	0223061118	0221062118	0221062218	0221063318
2000	1.469 1.013	1.996 1.358	2.572 1.752	3.556 2.430
	0223061120	0221062120	0221062220	0221063320
2200	1.616 1.114	2.195 1.494	2.829 1.927	3.912 2.673
	0223061122	0221062122	0221062222	0221063322
2400	1.763 1.216	2.395 1.630	3.086 2.102	4.268 2.917
	0223061124	0221062124	0221062224	0221063324
2600			3.343 2.277	
			0221062226	
2800			3.601 2.453	
			0221062228	
3000			3.858 2.628	
			0221062230	

700			
11	21	22	33
1.117	1.530	1.961	2.712
335 231	454 309	582 396	805 547
0223071104	0221072104	0221072204	0221073304
418 288	568 386	727 495	1.006 684
0223071105	0221072105	0221072205	0221073305
502 346	681 463	873 594	1.207 821
0223071106	0221072106	0221072206	0221073306
586 404	795 541	1.018 693	1.408 958
0223071107	0221072107	0221072207	0221073307
670 462	908 618	1.164 792	1.609 1.095
0223071108	0221072108	0221072208	0221073308
753 519	1.022 695	1.309 891	1.810 1.232
0223071109	0221072109	0221072209	0221073309
837 577	1.135 772	1.455 990	2.011 1.368
0223071110	0221072110	0221072210	0221073310
921 635	1.249 850	1.600 1.089	2.212 1.505
0223071111	0221072111	0221072211	0221073311
1.004 693	1.362 927	1.745 1.188	2.413 1.642
0223071112	0221072112	0221072212	0221073312
1.172 808	1.589 1.081	2.036 1.385	2.816 1.916
0223071114	0221072114	0221072214	0221073314
1.339 924	1.816 1.236	2.328 1.584	3.218 2.189
0223071116	0221072116	0221072216	0221073316
	2.043 1.390	2.619 1.782	3.621 2.463
	0221072118	0221072218	0221073318
	2.270 1.545	2.909 1.980	4.023 2.737
	0221072120	0221072220	0221073320

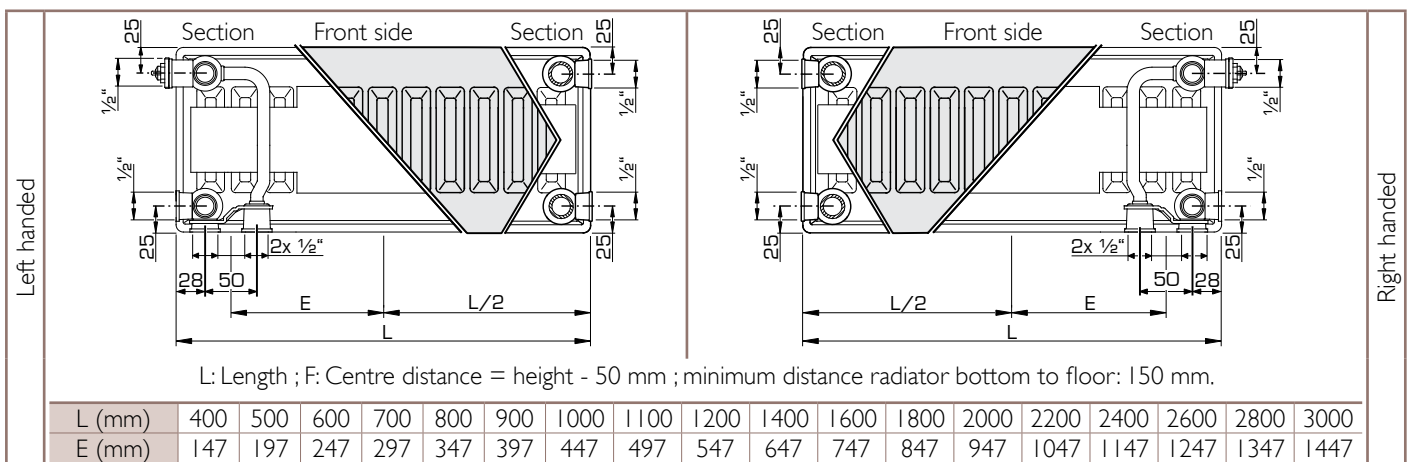
900			
11	21	22	33
1.360	1.883	2.395	3.334
408 281	559 380	709 482	982 662
0223091104	0221092104	0221092204	0221093304
510 351	699 476	887 602	1.228 827
0223091105	0221092105	0221092205	0221093305
612 422	838 570	1.064 722	1.473 993
0223091106	0221092106	0221092206	0221093306
714 492	978 665	1.241 843	1.719 1.159
0223091107	0221092107	0221092207	0221093307
816 562	1.117 760	1.419 963	1.964 1.324
0223091108	0221092108	0221092208	0221093308
917 633	1.257 856	1.597 1.084	2.210 1.490
0223091109	0221092109	0221092209	0221093309
1.019 703	1.397 951	1.774 1.204	2.455 1.655
0223091110	0221092110	0221092210	0221093310
1.121 773	1.536 1.045	1.950 1.324	2.700 1.820
0223091111	0221092111	0221092211	0221093311
1.223 844	1.677 1.141	2.128 1.445	2.946 1.986
0223091112	0221092112	0221092212	0221093312
1.427 984	1.956 1.331	2.483 1.686	3.438 2.317
0223091114	0221092114	0221092214	0221093314
1.631 1.125	2.235 1.521	2.838 1.926	3.928 2.648
0223091116	0221092116	0221092216	0221093316
		3.192 2.167	4.419 2.979
		0221092218	0221093318
		3.547 2.408	4.910 3.310
		0221092220	0221093320

CONNECTION POSSIBILITIES

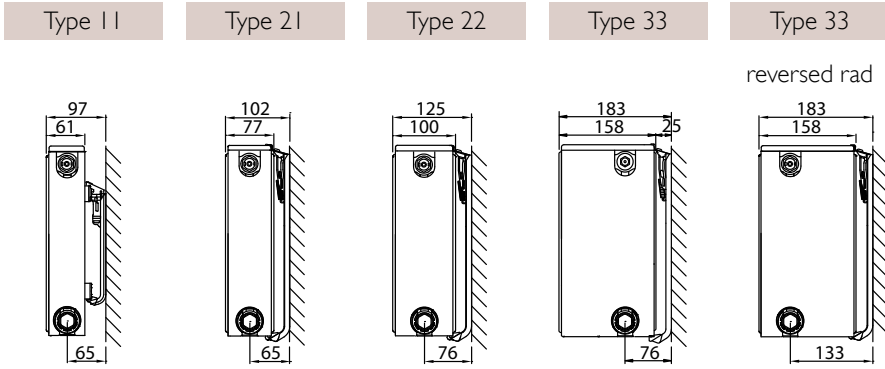


When connecting as a compact radiator the valve insert has to be removed and plastic plugs have to be replaced with brass plugs.
 * = a reduction in heatoutput will occur when combining low temperature heating with a high temperature difference between inlet and outlet.

MOUNTING DIMENSIONS



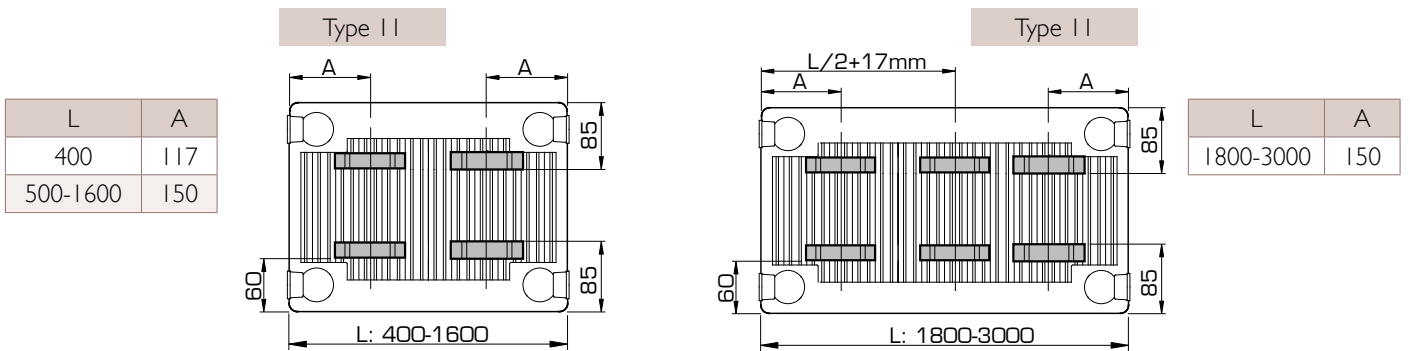
J-BRACKETS (TYPE MONCLAC VDI 6036)



Type 11		Art. N°.		Height	Types 21-33		Art. N°.		Height		
J-bracket VDI 6036 Class 3	x	y	2 pcs.	3 pcs.	mm	J-bracket VDI 6036 Class 3	x	y	2 pcs.	3 pcs.	mm
	/	140	R509203	R509303	300		64	190	R510203	R510303	300
	103	240	R509204	R509304	400		64	290	R510204	R510304	400
	103	340	R509205	R509305	500		64	390	R510205	R510305	500
	103	440	R509206	R509306	600		64	490	R510206	R510306	600
	103	540	R509207	R509307	700		64	590	R510207	R510307	700
	103	740	R509209	R509309	900		64	790	R510209	R510309	900

For lengths from 1800 mm: 3 brackets needed.

LUG POSITIONS TYPE 11



L	A
400	117
500-1600	150

L	A
1800-3000	150



Austria • Belarus • Belgium • Cyprus • Czech Republic • Estonia • France • Germany • Greece • Iceland • Ireland • Lithuania
Luxemburg • Norway • Poland • Portugal • Slovenia • Spain • Sweden • The Netherlands • Tunisia • Ukraine • United Kingdom

THE NETHERLANDS

Caradon Stelrad B.V. | Kathagen 30 | 6361 HG Nuth

WWW.STELRAD.EU

