

Novello Maternelle



DISCOVER NOVELLO MATERNELLE

 **Stelrad**
Europe's favourite radiator

General information

NOVELLO MATERNELLE

The Novello Maternelle is an encased valve radiator with a non-water-supplied front plate. It is specially designed for nurseries, kindergartens and retirement homes. The contact surface of the front plate remains at a low temperature at all times, ensuring the safety of everyone from children to adults.

Product:	the fully encased valve radiator with a non-water-supplied front plate
Finishing:	upper grille and side panels
Pre-installed:	preset Heimeier 4368 or 4369 valve insert, air vent and blind plugs
Valve insert:	The integrated adjustable valve insert (without thermostatic head) is factory-fit on the right side of the radiator, CEN certified, tested in accordance with EN215 and compatible with thermostatic heads M30 x 1,5 mm. The thermostatic valve insert is factory-set in relation to the size of the radiator. This presetting ensures optimum throughput in the radiator. Factory setting for two-pipe systems, also suitable for one-pipe systems (as long as the valve insert is adjusted to position 8).
Also supplied:	VDI brackets (Type Monclac), screws, plugs and installation instructions
Connections:	6 x 1/2" female connection (Left handed version is available on request)
Lugs:	2 pairs of mounting lugs up to 1.600 mm and 3 pairs from 1.800 mm
Packaging:	Every radiator is sturdily packaged in high-quality cardboard and wrapped in plastic. The radiator's characteristics are shown on the label: type – height – length.
Warranty:	10 years, as long as the installation instructions have been followed and Stelrad's warranty conditions have been met.
Paint process:	All radiators are degreased, phosphated, cathodically primed and powder-coated in Stelrad white 9016 as standard.
Colours:	Stelrad white 9016 + 35 different Stelrad colours and about 200 RAL-colours are possible
Max. operating pressure:	10 bar (tested to 13 bar)
Max. operating temperature:	110 °C
Conformity:	in accordance with EN442
Quality assurance:	NF
Type:	32
Heights:	400 600 700 mm
Lengths:	400 – 2.400 mm
Depths:	158 mm



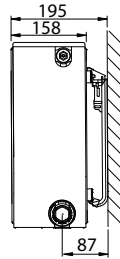
Type overview and heat outputs
in Watt according to EN442

On the label: Art. 0227 07 32 04
 6-CONNECTIONS MATERNELLE T32: 0227
 6-CONNECTIONS MATERNELLE L (Left) T32: 0228

Calculation factor
per meter
at 75/65/20°C
according to EN442

Characteristic equation:

$$\Phi = K_M \times \Delta T^n$$



EN442 (W) 70/50/20°C
EN442 (W) 55/45/20°C
EN442 (W) 75/65/20°C

Height		Type 32	Centre distance
400	W	1.228	350
	kg	28,43	
	l	4,70	
	m²	5,83	
	n	1,29	
600	W	1.691	550
	kg	41,00	
	l	6,70	
	m²	9,11	
	n	1,32	
700	W	1.917	650
	kg	49,15	
	l	7,72	
	m²	10,75	
	n	1,32	

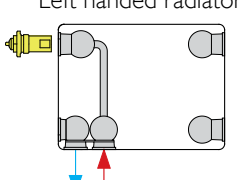
W=heat output per meter / kg=weight per meter
 l=content per meter / m²=surface per meter / n=exponent
 The manufacturer reserves the right to alter any of the specifications
 shown in this document without prior notice.

Height	400	600	700
Type	32		
400	369 255 491	504 345 676	572 392 767
500	461 318 614	630 432 846	715 489 959
600	553 382 737	756 518 1.015	858 587 1.150
700	645 445 860	883 604 1.184	1.000 685 1.342
800	737 509 982	1.009 691 1.353	1.143 783 1.534
900	829 573 1.105	1.135 777 1.522	1.286 881 1.725
1000	921 636 1.228	1.261 863 1.691	1.429 979 1.917
1100	1.014 700 1.351	1.387 950 1.860	1.572 1.077 2.109
1200	1.106 764 1.474	1.513 1.036 2.029	1.715 1.175 2.300
1400	1.290 891 1.719	1.765 1.209 2.367	2.001 1.370 2.684
1600	1.474 1.018 1.965	2.017 1.382 2.706	2.287 1.566 3.067
1800	1.659 1.145 2.210	2.269 1.554 3.044	2.573 1.762 3.451
2000	1.843 1.273 2.456	2.522 1.727 3.382	2.858 1.958 3.834
2200	2.027 1.400 2.702	2.774 1.900 3.720	
2400	2.212 1.527 2.947	3.026 2.072 4.058	

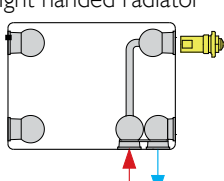
CONNECTION POSSIBILITIES

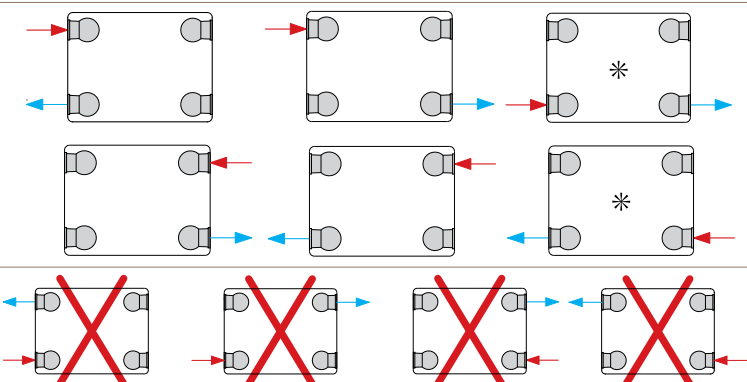
Views:
front of radiator

Left handed radiator



Right handed radiator



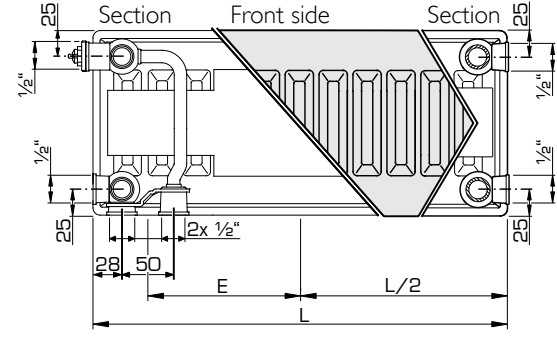


When connecting as a compact radiator the valve insert has to be removed and plastic plugs have to be replaced with brass plugs.

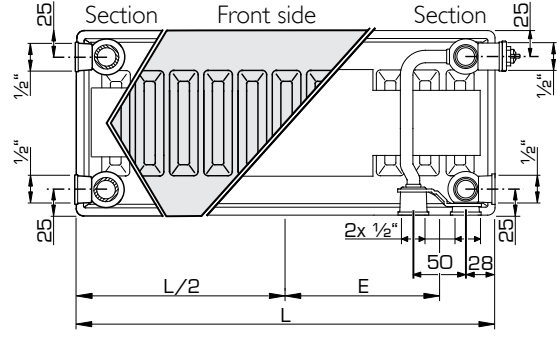
* = a reduction in heatoutput will occur when combining low temperature heating with a high temperature difference between inlet and outlet.

MOUNTING DIMENSIONS

Left handed



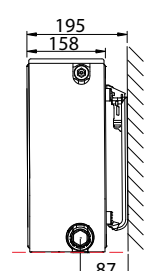
Right handed

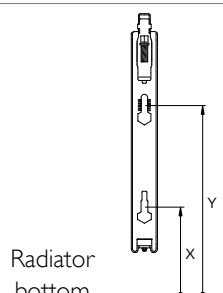


L: Length ; F: Centre distance = height - 50 mm ; minimum distance radiator bottom to floor: 150 mm.

L (mm)	400	500	600	700	800	900	1000	1100	1200	1400	1600	1800	2000	2200	2400
E (mm)	147	197	247	297	347	397	447	497	547	647	747	847	947	1047	1147

J-BRACKETS (TYPE MONCLAC, VDI 6036 = CLASS 3)





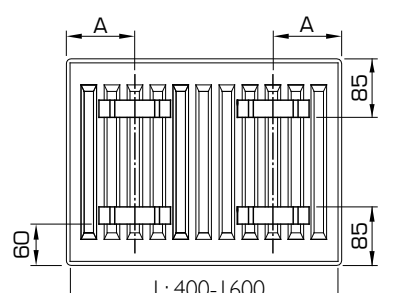
Radiator bottom

Type 32		Art. N°		Height
x	y	2 pcs.	3 pcs.	mm
103	240	R509204	R509304	400
103	440	R509206	R509306	600
103	540	R509207	R509307	700

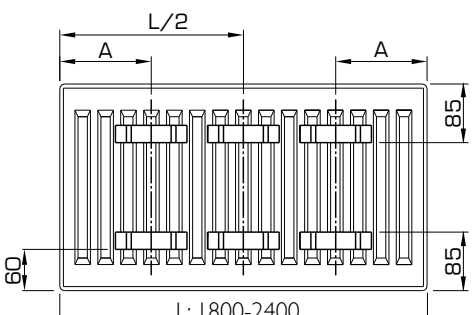
For lengths from 1800 mm: 3 brackets needed.

LUG POSITIONS

L	A
400-1600	133



L	A
1800-2400	133





Seasons

change,

and so

do we !

Austria • Belarus • Belgium • Cyprus • Czech Republic • Estonia • France • Germany • Greece • Iceland • Ireland • Lithuania
Luxemburg • Norway • Poland • Portugal • Slovenia • Spain • Sweden • The Netherlands • Tunisia • Ukraine • United Kingdom

THE NETHERLANDS

Caradon Stelrad B.V. | Kathagen 30 | 6361 HG Nuth

WWW.STELRAD.EU

