

DISCOVER HYGIENE PLANAR 8

UNIVERSAL AND FLEXIBLE,
OUR DECORATIVE VALVED RADIATOR WITH A FLAT FRONT,
NO CONVECTION FINS AND 8 CONNECTION POSSIBILITIES

General information

HYGIENE PLANAR 8

The Hygiene Planar 8 is a decorative radiator with a flat front, without convection fins and without upper grille and side panels, for each project where hygiene is of great importance. With its flat front, the radiator has a timeless design. Furthermore you have, thanks to the 4 side- and 4 bottom connections, a variety of connection possibilities. In addition, it offers a uniform wall distance of 65 mm for types 20 and 30 at the centre connection.

Product:	decorative naked valve radiator without convection fins with 8 connections and a flat front
Finishing:	decorative flat front, without upper grille and side panels
Pre-installed:	preset valve insert, air vent and blind plugs
Valve insert:	The integrated adjustable valve insert (without thermostatic head) is factory-fit on the right side of the radiator, tested in accordance with EN215 and compatible with thermostatic heads M30 x 1,5 mm. The thermostatic valve insert is factory-set in relation to the size of the radiator. This presetting ensures optimum throughput in the radiator. Factory setting for two-pipe systems, also suitable for one-pipe systems (as long as the valve insert is adjusted to position 8).
Also supplied:	Monclac brackets with anti-lift (VDI compliant when used in combination with included anti-slide clips), screws, plugs and installation instructions
Connections:	4 x ¾" male Eurocone bottom connection (2 x centre and 2 x lateral) and 4 x ½" female side connection. Uniform wall distance of 65 mm for types 20 and 30 at the centre connection.
Lugs:	Type 10 is equipped with 2 pairs of mounting lugs up to 1.600 mm and 3 pairs from 1.800 mm
Packaging:	Every radiator is sturdily packaged in high-quality cardboard and wrapped in plastic. The radiator's characteristics are shown on the label: type – height – length.
Warranty:	10 years, as long as the installation instructions have been followed and Stelrad's warranty conditions have been met.
Paint process:	All radiators are degreased, phosphated, cathodically primed and powder-coated in Stelrad white 9016 as standard.
Colours:	Stelrad white 9016 + 35 different Stelrad colours and about 200 RAL-colours are possible
Max. operating pressure:	10 bar (tested to 13 bar)
Max. operating temperature:	110 °C
Conformity:	in accordance with EN442
Quality assurance:	NF
Types:	10 20 30
Heights:	300 400 500 600 700 900 mm
Lengths:	400 – 3.000 mm
Depths:	49 79 160 mm

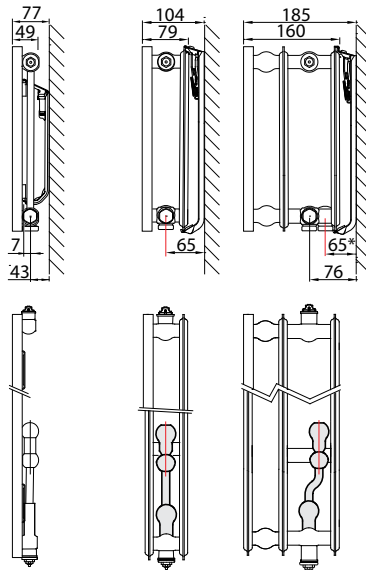


Type overview

Calculation factor
per meter
at 75/65/20°C
according to EN442

Characteristic equation:

$$\Phi = K_M \times \Delta T^n$$



Height		Type 10	Type 20	Type 30	Centre distance
300	W	301	531	798	250
	kg	8,44	14,64	22,00	
	l	1,84	3,29	5,20	
	m ²	0,68	1,37	2,04	
	n	1,27	1,30	1,32	
400	W	394	680	983	350
	kg	10,79	19,26	28,53	
	l	2,35	4,49	6,57	
	m ²	0,91	1,83	2,73	
	n	1,27	1,30	1,30	
500	W	481	820	1.168	450
	kg	13,15	23,88	35,07	
	l	2,85	5,70	7,93	
	m ²	1,14	2,28	3,42	
	n	1,27	1,31	1,28	
600	W	562	952	1.357	550
	kg	15,50	28,50	41,60	
	l	3,35	6,90	9,30	
	m ²	1,37	2,74	4,11	
	n	1,27	1,31	1,27	
700	W	636	1.077	1.550	650
	kg	18,15	33,33	48,10	
	l	3,83	7,57	10,77	
	m ²	1,60	3,20	4,79	
	n	1,27	1,32	1,29	
900	W	765	1.308	1.959	850
	kg	23,45	43,00	61,10	
	l	4,80	8,90	13,70	
	m ²	2,06	4,12	6,18	
	n	1,27	1,33	1,33	

W=heat output per meter / kg=weight per meter / l=content per meter / m²=surface per meter / n=exponent
The manufacturer reserves the right to alter any of the specifications shown in this document without prior notice.

HYGIENE PLANAR 8

Heat outputs in Watt according to EN442



EN442 (W) 70/50/20°C

EN442 (W) 55/45/20°C

Stelrad BV/PL 19/10/07/E013

Height	300		
Type	10	20	30
W/m 75/65/20°C	301	531	798
400		159 109	238 163
		0659032004	0659033004
500	113 79	199 137	297 204
	0658031005	0659032005	0659033005
600	136 95	238 164	357 244
	0658031006	0659032006	0659033006
700	159 110	278 191	416 285
	0658031007	0659032007	0659033007
800	182 126	318 219	476 326
	0658031008	0659032008	0659033008
900	204 142	358 246	535 366
	0658031009	0659032009	0659033009
1000	227 158	397 274	595 407
	0658031010	0659032010	0659033010
1100	250 173	437 301	654 448
	0658031011	0659032011	0659033011
1200	272 189	477 328	714 488
	0658031012	0659032012	0659033012
1400	318 221	556 383	833 570
	0658031014	0659032014	0659033014
1600		636 438	951 651
		0659032016	0659033016
1800		715 492	1.070 733
		0659032018	0659033018
2000		795 547	1.189 814
		0659032020	0659033020
2200		874 602	1.308 895
		0659032022	0659033022
2400		954 656	1.427 977
		0659032024	0659033024
2600		1.033 711	
		0659032026	
2800		1.113 766	
		0659032028	
3000		1.192 821	
		0659032030	

400		
10	20	30
394	680	983
	203 140	294 202
	0659042004	0659043004
149 103	254 175	368 253
0658041005	0659042005	0659043005
178 124	305 210	441 303
0658041006	0659042006	0659043006
208 144	356 245	515 354
0658041007	0659042007	0659043007
238 165	407 280	588 405
0658041008	0659042008	0659043008
267 186	458 315	662 455
0658041009	0659042009	0659043009
297 206	509 350	735 506
0658041010	0659042010	0659043010
327 227	559 385	809 556
0658041011	0659042011	0659043011
356 248	610 420	882 607
0658041012	0659042012	0659043012
416 289	712 490	1.029 708
0658041014	0659042014	0659043014
475 330	814 559	1.177 809
0658041016	0659042016	0659043016
535 371	915 629	1.324 910
0658041018	0659042018	0659043018
594 413	1.017 699	1.471 1.011
0658041020	0659042020	0659043020
	1.119 769	1.618 1.113
	0659042022	0659043022
	1.220 839	1.765 1.214
	0659042024	0659043024
	1.322 909	
	0659042026	
	1.424 979	
	0659042028	
	1.526 1.049	
	0659042030	

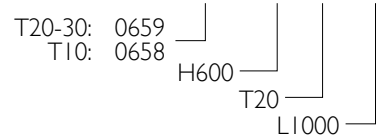
500		
10	20	30
481	820	1.168
	245 168	351 242
	0659052004	0659053004
181 126	306 210	439 303
0658051005	0659052005	0659053005
218 151	368 253	526 364
0658051006	0659052006	0659053006
254 176	429 295	614 424
0658051007	0659052007	0659053007
290 202	490 337	702 485
0658051008	0659052008	0659053008
326 227	552 379	789 546
0658051009	0659052009	0659053009
363 252	613 421	877 606
0658051010	0659052010	0659053010
399 277	674 463	965 667
0658051011	0659052011	0659053011
435 302	735 505	1.052 727
0658051012	0659052012	0659053012
508 353	858 589	1.228 849
0658051014	0659052014	0659053014
580 403	980 674	1.403 970
0658051016	0659052016	0659053016
653 454	1.103 758	1.579 1.091
0658051018	0659052018	0659053018
725 504	1.226 842	1.754 1.212
0658051020	0659052020	0659053020
798 554	1.348 926	1.929 1.334
0658051022	0659052022	0659053022
870 605	1.471 1.010	2.105 1.455
0658051024	0659052024	0659053024
	1.593 1.094	
	0659052026	
	1.716 1.179	
	0659052028	
	1.838 1.263	
	0659052030	

Core assortment (Stelrad white 9016) available ex factory within 10 days.
 Core assortment is subject to change, please refer to www.stelrad.eu for the latest information.
 Delivery time depends on the model, please refer to your distributor.

HYGIENE PLANAR 8

On the label:
8-CONNECTIONS HYGIENE PLAN

Art. 0659 06 20 10



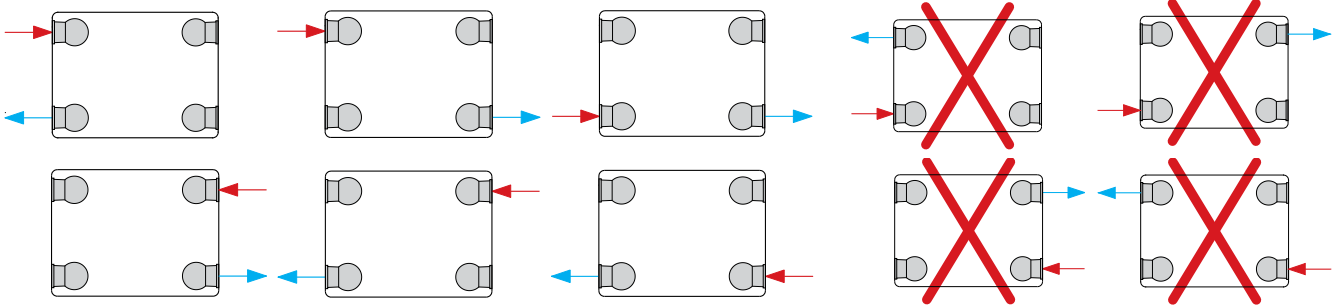
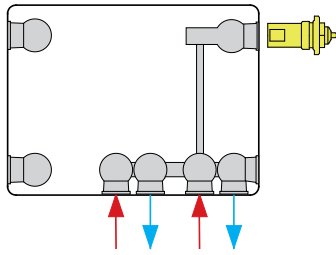
Height	600		
Type	10	20	30
W/m 75/65/20°C	562	952	1.357
400		284 195	409 284
		0659062004	0659063004
500	212 147	355 244	511 355
	0658061005	0659062005	0659063005
600	254 177	427 293	614 426
	0658061006	0659062006	0659063006
700	297 206	498 342	716 497
	0658061007	0659062007	0659063007
800	339 236	569 390	818 568
	0658061008	0659062008	0659063008
900	381 265	640 439	921 639
	0658061009	0659062009	0659063009
1000	424 294	711 488	1.023 710
	0658061010	0659062010	0659063010
1100	466 324	782 537	1.125 781
	0658061011	0659062011	0659063011
1200	508 353	853 585	1.227 852
	0658061012	0659062012	0659063012
1400	593 412	995 683	1.432 994
	0658061014	0659062014	0659063014
1600	678 471	1.137 781	1.636 1.137
	0658061016	0659062016	0659063016
1800	763 530	1.280 878	1.841 1.279
	0658061018	0659062018	0659063018
2000	847 589	1.422 976	2.046 1.421
	0658061020	0659062020	0659063020
2200	932 648	1.564 1.073	2.250 1.563
	0658061022	0659062022	0659063022
2400	1.017 707	1.706 1.171	2.455 1.705
	0658061024	0659062024	0659063024
2600		1.848 1.269	
		0659062026	
2800		1.991 1.366	
		0659062028	
3000		2.133 1.464	
		0659062030	

700		
10	20	30
636	1.077	1.550
	321 220	465 321
	0659072004	0659073004
240 167	402 275	581 401
0658071005	0659072005	0659073005
288 200	482 330	698 482
0658071006	0659072006	0659073006
336 233	562 385	814 562
0658071007	0659072007	0659073007
384 267	642 440	930 642
0658071008	0659072008	0659073008
432 300	723 495	1.046 722
0658071009	0659072009	0659073009
480 333	803 550	1.163 803
0658071010	0659072010	0659073010
527 367	883 605	1.279 883
0658071011	0659072011	0659073011
575 400	964 660	1.395 963
0658071012	0659072012	0659073012
671 467	1.124 770	1.628 1.124
0658071014	0659072014	0659073014
767 533	1.285 880	1.860 1.284
0658071016	0659072016	0659073016
863 600	1.445 990	2.093 1.445
0658071018	0659072018	0659073018
959 666	1.606 1.100	2.325 1.605
0658071020	0659072020	0659073020

900		
10	20	30
765	1.308	1.959
	389 265	582 397
	0659092004	0659093004
288 200	486 332	728 496
0658091005	0659092005	0659093005
346 240	583 398	873 596
0658091006	0659092006	0659093006
404 281	681 464	1.019 695
0658091007	0659092007	0659093007
461 321	778 531	1.164 794
0658091008	0659092008	0659093008
519 361	875 597	1.310 893
0658091009	0659092009	0659093009
577 401	972 663	1.456 993
0658091010	0659092010	0659093010
634 441	1.069 730	1.601 1.092
0658091011	0659092011	0659093011
692 481	1.167 796	1.747 1.191
0658091012	0659092012	0659093012
807 561	1.361 929	2.038 1.390
0658091014	0659092014	0659093014
923 641	1.556 1.061	2.329 1.588
0658091016	0659092016	0659093016
1.038 721	1.750 1.194	2.620 1.787
0658091018	0659092018	0659093018
1.154 801	1.944 1.326	2.911 1.985
0658091020	0659092020	0659093020

CONNECTION POSSIBILITIES

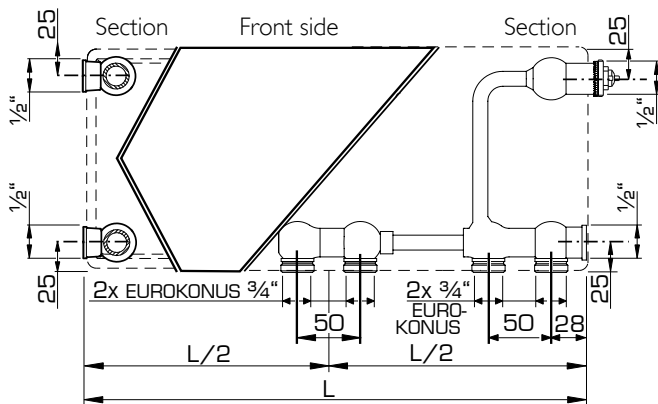
Radiator with insert on the right hand side



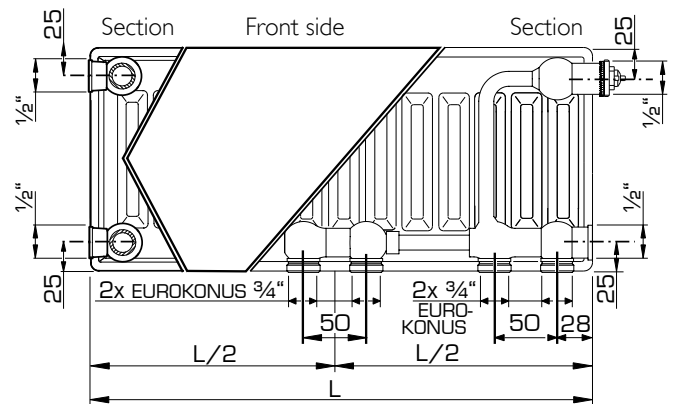
When connecting as a compact radiator the valve insert has to be removed.

MOUNTING DIMENSIONS

Type 10

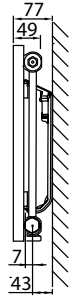


Type 20/30

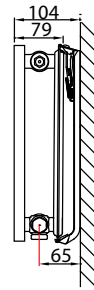


J-BRACKETS (TYPE MONCLAC VDI 6036)

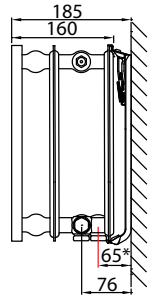
Type 10



Type 20



Type 30



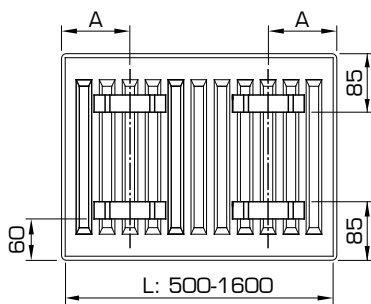
* centre connection only

Type 10			Art. N°.	Height	Types 20-30			Art. N°.	Height	
J-bracket VDI 6036 Cl. 2	x	y	2 pc.	mm	J-bracket VDI 6036 Cl. 3	x	y	2 pc.	3 pc.	mm
	/	130	R51120310	300		64	190	R510203	R510303	300
	115	230	R51120410	400		64	290	R510204	R510304	400
	115	330	R51120510	500		64	390	R510205	R510305	500
	115	430	R51120610	600		64	490	R510206	R510306	600
	115	530	R51120710	700		64	590	R510207	R510307	700
	115	730	R51120910	900		64	790	R510209	R510309	900

For lengths from 1800 mm: 3 brackets needed.

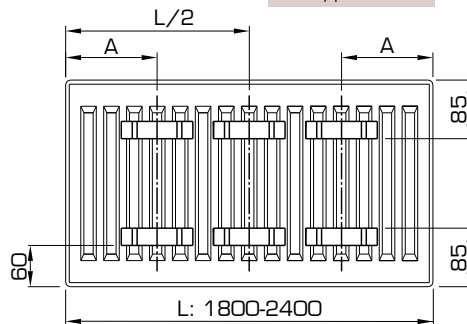
LUG POSITIONS TYPE 10

Type 10



L	A
500-1100	167
1200-1600	267

Type 10



L	A
1800-2400	267



Austria • Belarus • Belgium • Cyprus • Czech Republic • Estonia • France • Germany • Greece • Iceland • Ireland • Lithuania
Luxemburg • Norway • Poland • Portugal • Slovenia • Spain • Sweden • The Netherlands • Tunisia • Ukraine • United Kingdom

NEDERLANDS

Caradon Stelrad B.V. | Kathagen 30 | 6361 HG Nuth | T. +31 455 65 62 62

WWW.STELRAD.EU

